

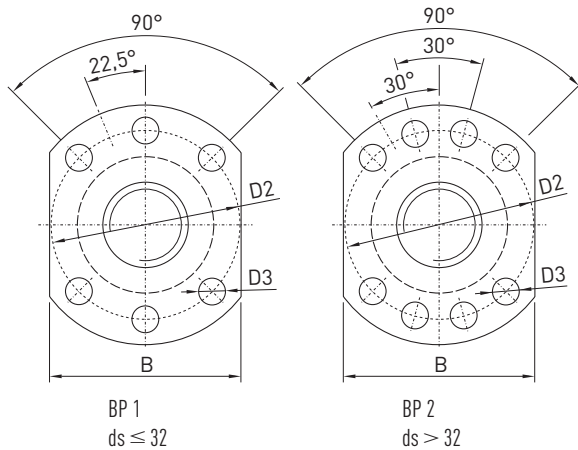
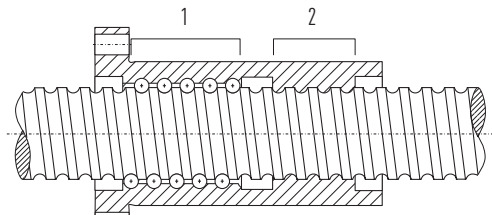
## 5.4.5 Safety nut SEM

The safety nut comprises a ball thread unit and safety unit. The safety nut basically works like a normal ballscrew nut. If the axial play is increased due to wear, ball failure or ball loss, the thread of the safety unit comes into contact with the ball thread. The nut cannot therefore break out. The normal function of the unit is guaranteed up to an axial play of 0.4 mm.

### Areas of application:

- Lifting equipment
- Clamping fixtures
- Lifting platforms
- Elevators

- 1 Ballscrew unit
- 2 Safety unit



BP Hole pattern

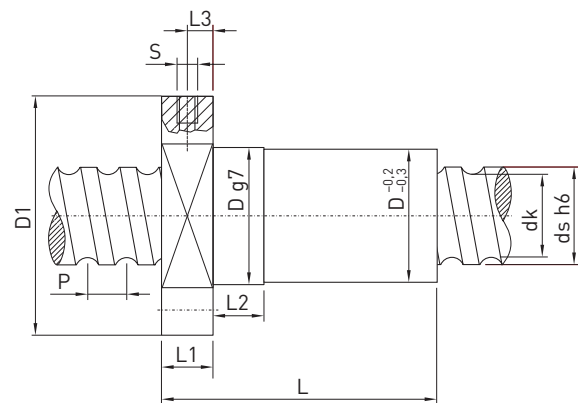


Table 5.8 Safety nut dimensions

Type	ds	P	D	D1	D2	D3	L	L1	L2	L3	S	B	dk	Dynamic load rating $C_{dyn}$ [N]	Static load rating $C_0$ [N]	Max. axial play [mm]	Mass [kg/piece]
R32-10T4-SEM-F	32	10	56	86	70	9.0	130	15	16	7.5	M6	66	27.8	40,900	63,200	0.02	1.55
R40-10T4-SEM-F	40	10	63	93	78	9.0	130	15	16	7.5	M8 × 1	70	35.8	46,800	82,500	0.02	1.69
R40-20T2-SEM-B	40	20	63	93	78	9.0	140	15	16	7.5	M8 × 1	70	35.8	24,300	36,400	0.03	1.82
R50-10T5-SEM-F	50	10	75	110	93	11.0	145	16	16	8.0	M8 × 1	85	45.8	63,900	133,300	0.02	2.40
R63-20T4-SEM-S	63	20	95	135	115	13.5	205	20	25	10.0	M8 × 1	100	55.4	124,000	250,000	0.04	5.90
R80-20T5-SEM-S	80	20	125	165	145	13.5	230	25	25	12.5	M8 × 1	130	72.4	174,500	398,000	0.05	12.10

All dimensions stated without a unit are in mm

### Note:

Simply using a safety nut does not provide sufficient protection against a load being lowered unintentionally. The safety guidelines valid for the application must be observed. The safety nut it is not a safety component according to the Machinery Directive.