

1

2

3

4

5

6

7

8

9


















10

11










12

13

## TUBULAR FRAME COMPONENTS

	SLIDE RAIL D28	1039		MOUNTING BRACKET 60 X 47, D28 (SET)	1057
	THREADED SLEEVE D28L (SET)	1040		VARIO BLOCK D28 (SET)	1058
	OUTER T-CONNECTOR D28 (SET)	1041		VARIO BLOCK AL D28 (SET)	1059
	INNER T-CONNECTOR D28 (SET)	1042		CROSS CABLE BINDER BLOCK D28	1060
	PARALLEL CONNECTOR D28 (SET)	1043		CROSS CABLE BINDER BLOCK D28 UNIVERSAL	1061
	PARALLEL CLAMP D28 (SET)	1044		MOUNTING CLAMP D28 (SET)	1062
	INNER BALL CONNECTOR D28 (SET)	1045		HOLDING BRACKET XST D28	1063
	ANGLE CONNECTOR D28, 45° (SET)	1046		HOLDING BRACKET AL D28	1064
	ANGLE CONNECTOR 2D28 (SET)	1047		VARIABLE HOLDING BRACKET XST D28	1065
	CROSS CONNECTOR D28 (SET)	1048		VARIABLE HOLDING BRACKET AL D28	1066
	OUTER BALL CONNECTOR D28 (SET)	1049		MOUNTING BRACKET XST D28	1067
	OUTER BALL BUTT CONNECTOR D28 (SET)	1050		MOUNTING BRACKET AL D28	1068
	INNER BALL BUTT CONNECTOR D28 (SET)	1051		COVER CAP D28 / D30	1069
	CORNER CONNECTOR 2D28 (SET)	1052		LABEL CLIP D28 / D30	1070
	ADAPTER PLATE D28 (SET)	1053		SUSPENSION PLATE D28 / D30	1071
	ADAPTER PIECE D28 - 40 M8 (SET)	1054		TOOL HOOK FX 24/16 - 12 FOR TUBES D28 / D30	1072
	T-CONNECTOR PLATE D28	1055		TOOL HOOK FX 66/27 - 13, RUBBERIZED FOR TUBES D28 / D30	1073
	T-CONNECTOR D28 - SLOT 10 (SET)	1056		TOOL HOOK FX 66/27 - 13 FOR TUBES D28 / D30	1074

	<b>TOOL HOOK FX 7/38 - 24 FOR TUBES D28 / D30</b>	<b>1075</b>		<b>OUTER T-CONNECTOR D30 (SET)</b>	<b>1093</b>
	<b>TOOL HOOK FX 59/19 - 24 FOR TUBES D28 / D30</b>	<b>1076</b>		<b>OUTER T-CONNECTOR D30 - SLOT 8 (SET)</b>	<b>1094</b>
	<b>TOOL HOOK FX 17/57 - 24 FOR TUBES D28 / D30</b>	<b>1077</b>		<b>CORNER CONNECTOR 2D30 (SET)</b>	<b>1095</b>
	<b>TOOL HOLDER FX D80 FOR TUBES D28 / D30</b>	<b>1078</b>		<b>ANGLE CONNECTOR 2D30 (SET)</b>	<b>1096</b>
	<b>TOOL DOUBLE HOOK FX R35 - 67, RUBBERIZED FOR TUBES D28 / D30</b>	<b>1079</b>		<b>T-CONNECTOR PLATE D30 (SET)</b>	<b>1097</b>
	<b>TOOL HOOK FX R35 - 27, RUBBERIZED FOR TUBES D28 / D30</b>	<b>1080</b>		<b>PARALLEL CONNECTOR D30 (SET)</b>	<b>1098</b>
	<b>CLOTH CLIP FX FOR TUBES D28 / D30</b>	<b>1081</b>		<b>ANGLE CONNECTOR D30, 45° (SET)</b>	<b>1099</b>
	<b>BOTTLE HOLDER FX FOR TUBES D28 / D30</b>	<b>1082</b>		<b>CROSS CONNECTOR D30 (SET)</b>	<b>1100</b>
	<b>TOOL TRAY PARABOL FX FOR TUBES D28 / D30</b>	<b>1083</b>		<b>CROSS BALL CONNECTOR D30 (SET)</b>	<b>1101</b>
	<b>BROOM HOLDER FLEX FX 20 - 30 FOR TUBES D28 / D30</b>	<b>1084</b>		<b>MOUNTING BRACKET D30 (SET)</b>	<b>1102</b>
	<b>TOOL QUIVER FX D50 FOR TUBES D28 / D30</b>	<b>1085</b>		<b>OUTER BALL BUTT CONNECTOR D30 (SET)</b>	<b>1103</b>
	<b>DRILL / DRIVER HOLDER FX D50 FOR TUBES D28 / D30</b>	<b>1086</b>		<b>VARIO BLOCK AL D30</b>	<b>1104</b>
	<b>BAG CUTTER FX FOR TUBES D28 / D30</b>	<b>1087</b>		<b>PANEL CLIP D30</b>	<b>1105</b>
	<b>PACKING TAPE HAND DISPENSER HOLDER FX FOR TUBES D28 / D30</b>	<b>1088</b>		<b>TOP SUSPENSION D30 (SET)</b>	<b>1106</b>
	<b>SLIDE RAIL D30</b>	<b>1089</b>		<b>TOP CORNER SUSPENSION D30 (SET)</b>	<b>1107</b>
	<b>PROTECTION CAP D30</b>	<b>1090</b>		<b>TOP CLAMP D30 (SET)</b>	<b>1108</b>
	<b>COVER CAP FOR TUBULAR FRAME CONNECTORS D30</b>	<b>1091</b>		<b>CROSS CABLE BINDER BLOCK D30</b>	<b>1109</b>
	<b>THREADED SLEEVE AL D30</b>	<b>1092</b>		<b>LABEL HOLDER D30 (SET)</b>	<b>1110</b>

	<b>MOUNTING CLAMP D30 (SET)</b>	<b>1111</b>
	<b>ROLLER Ø 39.5 (SET)</b>	<b>1112</b>
	<b>ROLLER Ø 46.5</b>	<b>1113</b>
	<b>SLIDE BEARING D40/D30</b>	<b>1114</b>
	<b>HOLDING BRACKET XST D30</b>	<b>1115</b>
	<b>HOLDING BRACKET AL D30</b>	<b>1116</b>
	<b>VARIABLE HOLDING BRACKET XST D30</b>	<b>1117</b>
	<b>VARIABLE HOLDING BRACKET AL D30</b>	<b>1118</b>
	<b>MOUNTING BRACKET XST D30</b>	<b>1119</b>



## CONNECTORS FOR ALUMINUM TUBULAR FRAME PROFILES D28 & D30

**Flexible, secure, uncomplicated:**  
**FATH Connectors for Tubular Frame Profiles D28 and D30**



- 90° connection
- Connection from 40x40 to D28/D30
- Corner connection
- Parallel connection
- Ball connector inside and outside
- X connector 45° connection
- Crosspieces

### HIGHLIGHTS

Due to their special geometry (dovetail shape), the aluminum round tube systems D28 and D30 are particularly efficient. With **FATH** connectors, you can create twist-resistant and stable connections for these round tube systems in a few simple steps. This results in a positive connection that provides long-term strong support. You can cut the tubular frame profiles to length yourself. Particular precision is not necessary, since the **FATH** connectors compensate to some degree for length tolerances, angular errors and uneven cuts. Thanks to the wide variety of connectors and functions, you can implement the right structure for almost all requirements. The planning of individual structures for workstations, material trolleys, shelves, material feeds, etc. is easy due to the small number of required parts, and the assembly can be done quickly. In the industrial production environment, requirements or the

workplace can change at any time. **FATH** connectors for aluminium tubular frame profiles D28 & D30 can be quickly removed and reused, just like the profiles themselves. This offers maximum flexibility for your designs in industrial production – an economical solution that also scores points in terms of sustainability. **FATH** connectors are delivered ready for use as a completely pre-assembled set and can be installed directly.

GREAT VARIETY



### Multifunctional plate fastening for tubular frame profiles

Multifunctional plate fastening from **FATH** enables surface elements to be fastened to a tubular frame profile with an outside diameter of 30 mm in a variety of ways: bottom front, tubular frame profile flush to a surface element, any position on a surface element bottom or top front. The fixing clamp D30 (set) consists of two components, a basic element and height compensation. You can use the basic element individually or simply screw it together with the height compensation if necessary. The tubular frame profile is then completely enclosed.

Individual designs for almost any requirement can be built quickly and easily – from splash guards to cladding.

# MULTIFUNCTIONAL CONNECTIONS

## Table brackets

A large selection of mounting options for table plates are available:

- Table plate attachments
- Table plate attachment flap
- Parallel clamp
- Table attachment
- Plate attachment

## Roller conveyor

Attachment brackets are available in various versions as well as for the two different versions of steel roller conveyor and aluminum rail:

- Attachment without end stop
- Attachment with end stop
- Mounting bracket
- Attachment with high end stop
- Variable brackets



## Flexible & multifunctional:

The connectors for tubular frame profiles D28 and D30 are available in many versions. Here is a glimpse into the available connectors:



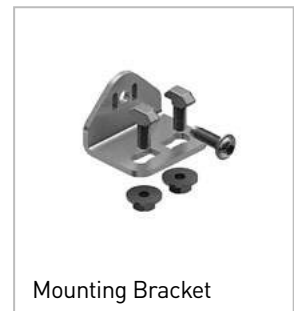
Ball Connector



Threaded Sleeve



Angle Connector



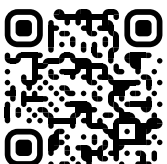
Mounting Bracket



Adapter Plate



Cover Caps

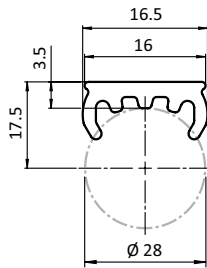


Get to know it  
better now!

tubular.fath24.com

**SLIDE RAIL D28**

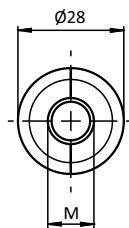
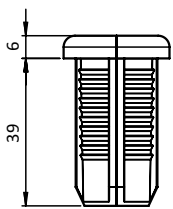
<b>MODEL</b>	Plastic PA
<b>DESCRIPTION</b>	To build simple slipways by clipping on a tubular frame profile with Ø 28 mm outer diameter; also applicable as support strip for the mouting of panels with vario block AL D28
<b>MATERIAL</b>	Plastic PVC-U
<b>COLOR</b>	Gray
<b>PACK QUANTITY</b>	200 meters (100 pieces at 2 m)
<b>TIP</b>	Please note: You are ordering in meters! Compatible Vario Block see 094AD28



Color	ESD	Weight [g/m]	Profile	Part #
Gray ≈ RAL 7035		66.0	B	<b>092060</b>

**THREADED SLEEVE D28L (SET)**

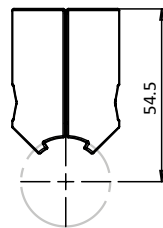
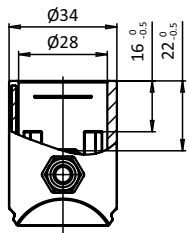
<b>MODEL</b>	For tubular frame profiles
<b>DESCRIPTION</b>	To fix leveling feet or swivel casters to the front of tubular frame profiles D28L with $\varnothing$ 28 mm outer diameter
<b>MATERIAL</b>	Sleeve: Plastic PA, carbon fibre reinforced Long nut: Steel
<b>SURFACE</b>	Long nut: Zinc plated
<b>COLOR</b>	Sleeve: Black
<b>SET 1</b>	1 sleeve, two-part 1 long nut M8
<b>SET 2</b>	1 sleeve, two-part 1 long nut M12
<b>PACK QUANTITY</b>	20 set



	Set	Thread	Weight [g]	Part #
	Set 1	M8	29.0	<a href="#">099RV28AS02</a>
	Set 2	M12	20.0	<a href="#">099RV28AS01</a>

**OUTER T-CONNECTOR D28 (SET)**

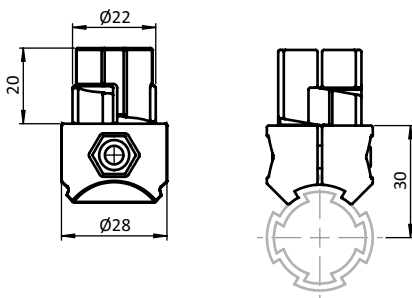
<b>MODEL</b>	For tubular frame profiles
<b>DESCRIPTION</b>	To connect two tubular frame profiles with $\varnothing$ 28 mm outer diameter at right angles
<b>MATERIAL</b>	Connector: Aluminum die-cast Assembly set: Steel
<b>SURFACE</b>	Connector: Plain Assembly set: Zinc plated
<b>SET</b>	2 components for outer T-connector D28, 1 screw DIN EN ISO 4762 (DIN 912) - M6 x 25, 1 self-locking nut ISO 10511 - M6
<b>PACK QUANTITY</b>	10 sets



	ESD	Weight [g]	Part #
	ESD electrostatical discharging	56.0	<b>099RV2890LS01</b>

**INNER T-CONNECTOR D28 (SET)**

<b>MODEL</b>	For tubular frame profiles
<b>DESCRIPTION</b>	To connect two tubular frame profiles with $\varnothing$ 28 mm outer diameter at right angles
<b>MATERIAL</b>	Connector: Aluminum die-cast Assembly set: Steel
<b>SURFACE</b>	Connector: Plain Assembly set: Zinc plated
<b>SET</b>	2 components for inner T-connector D28, 1 screw DIN EN ISO 4762 (DIN 912) - M6 x 20, 1 self-locking nut ISO 10511 - M6
<b>PACK QUANTITY</b>	10 sets



	ESD	Weight [g]	Part #
	ESD electrostatical discharging	45.0	<b>099RV2890LS03</b>

**PARALLEL CONNECTOR D28 (SET)**

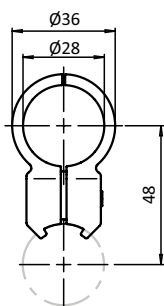
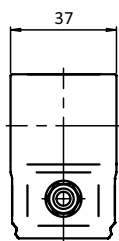
<b>MODEL</b>	For tubular frame profiles
<b>DESCRIPTION</b>	To parallelly connect two tubular frame profiles with $\varnothing$ 28 mm outer diameter; with pre-centering; completely pre-assembled set
<b>MATERIAL</b>	Connector: Aluminum die-cast Assembly set: Steel
<b>SURFACE</b>	Connector: Plain Assembly set: Zinc plated
<b>SET</b>	2 components for parallel connector D28, 1 screw DIN EN ISO 4762 (DIN 912) - M6 x 25, 1 self-locking nut ISO 10511 - M6
<b>PACK QUANTITY</b>	10 sets



	ESD	Weight [g]	Part #
	ESD electrostatical discharging	62.0	<b>099RV28PS01</b>

**PARALLEL CLAMP D28 (SET)**

<b>MODEL</b>	For tubular frame profiles
<b>DESCRIPTION</b>	To parallelly connect a tube or a tubular frame profile to a tubular frame profile with $\varnothing$ 28 mm outer diameter; with pre-centering; completely pre-assembled set
<b>MATERIAL</b>	Connector: Aluminum die-cast Assembly set: Steel
<b>SURFACE</b>	Connector: Plain Assembly set: Zinc plated
<b>SET</b>	2 components for parallel clamp D28, 1 screw DIN EN ISO 4762 (DIN 912) - M6 x 25, 1 self-locking nut ISO 10511 - M6
<b>PACK QUANTITY</b>	10 sets

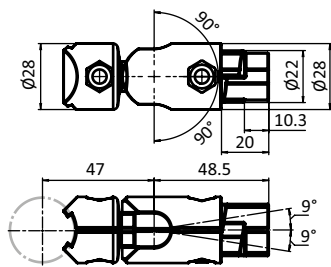


**ESD**      **Weight [g]**      **Part #**

ESD electrostatical discharging	80.3	<b>099RV28180S01</b>
---------------------------------	------	----------------------

**INNER BALL CONNECTOR D28 (SET)**

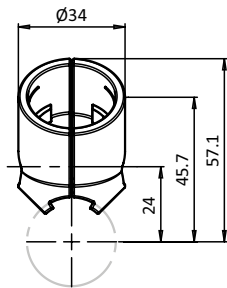
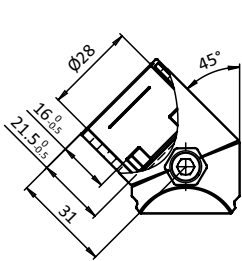
<b>MODEL</b>	For tubular frame profiles
<b>DESCRIPTION</b>	To connect two tubular frame profiles with $\varnothing$ 28 mm outer diameter at variable angles, with pre-centering; completely pre-assembled set
<b>MATERIAL</b>	Connector: Aluminum die-cast Assembly set: Steel
<b>SURFACE</b>	Connector: Plain Assembly set: Zinc plated
<b>SET</b>	4 components for inner ball butt T-connector D28, 2 screws DIN EN ISO 4762 (DIN 912) - M6 x 20, 2 self-locking nuts ISO 10511 - M6
<b>PACK QUANTITY</b>	10 sets



	ESD	Weight [g]	Part #
	ESD electrostatical discharging	107.0	<b>099RV28KS05</b>

**ANGLE CONNECTOR D28, 45° (SET)**

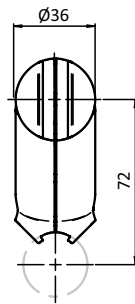
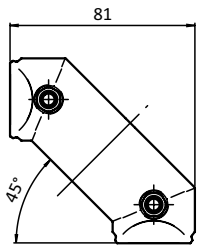
<b>MODEL</b>	For tubular frame profiles
<b>DESCRIPTION</b>	To connect two tubular frame profiles with $\varnothing$ 28 mm outer diameter at 45°; with pre-centering; completely pre-assembled set
<b>MATERIAL</b>	Connector: Aluminum die-cast Assembly set: Steel
<b>SURFACE</b>	Connector: Plain Assembly set: Zinc plated
<b>SET</b>	2 components for angle connector D28 ,45°, 1 screw DIN EN ISO 4762 (DIN 912) - M6 x 25, 1 self-locking nut ISO 10511 - M6
<b>PACK QUANTITY</b>	10 sets



	ESD	Weight [g]	Part #
	ESD electrostatical discharging	58.0	<b>099RV2845S01</b>

**ANGLE CONNECTOR 2D28 (SET)**

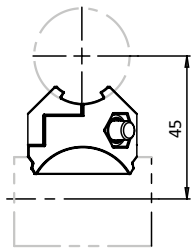
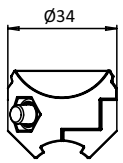
<b>MODEL</b>	For tubular frame profiles
<b>DESCRIPTION</b>	To connect two tubular frame profiles with $\varnothing$ 28 mm outer diameter at right angles; with pre-centering; completely pre-assembled set
<b>MATERIAL</b>	Connector: Aluminum die-cast Assembly set: Steel
<b>SURFACE</b>	Connector: Plain Assembly set: Zinc plated
<b>SET</b>	2 components for angle connector 2D28, 2 screws DIN EN ISO 4762 (DIN 912) - M6 x 25, 2 self-locking nuts ISO 10511 - M6
<b>PACK QUANTITY</b>	10 sets



	ESD	Weight [g]	Part #
	ESD electrostatical discharging	134.0	<a href="#">099RV2890QS01</a>

**CROSS CONNECTOR D28 (SET)**

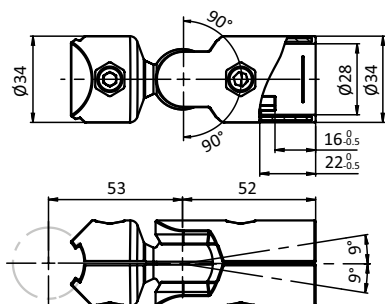
<b>MODEL</b>	For tubular frame profiles
<b>DESCRIPTION</b>	To cross connect two tubular frame profiles with $\varnothing$ 28 mm outer diameter; completely pre-assembled set
<b>MATERIAL</b>	Connector: Aluminum die-cast Assembly set: Steel
<b>SURFACE</b>	Connector: Plain Assembly set: Zinc plated
<b>SET</b>	2 components for cross connector D28, 1 screw ISO 4762 - M6 x 30, 1 self-locking nut ISO 10511 - M6
<b>PACK QUANTITY</b>	10 sets



	ESD	Weight [g]	Part #
	ESD electrostatical discharging	50.0	<b>099RV28XS01</b>

**OUTER BALL CONNECTOR D28 (SET)**

<b>MODEL</b>	For tubular frame profiles
<b>DESCRIPTION</b>	To connect two tubular frame profiles with $\varnothing$ 28 mm outer diameter at variable angles, with pre-centering; completely pre-assembled set
<b>MATERIAL</b>	Connector: Aluminum die-cast Assembly set: Steel
<b>SURFACE</b>	Connector: Plain Assembly set: Zinc plated
<b>SET</b>	4 components for outer ball connector D28, 2 screws DIN EN ISO 4762 (DIN 912) - M6 x 25, 2 self-locking nuts ISO 10511 - M6
<b>PACK QUANTITY</b>	10 sets

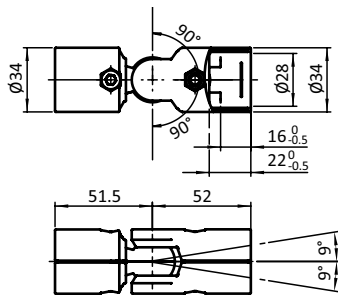


**ESD**    **Weight [g]**    **Part #**

ESD electrostatical discharging    145.0    **099RV28KS01**

**OUTER BALL BUTT CONNECTOR D28 (SET)**

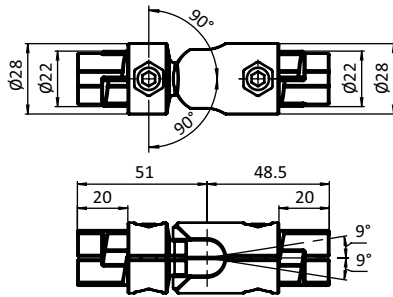
<b>MODEL</b>	For tubular frame profiles
<b>DESCRIPTION</b>	To connect two tubular frame profiles with $\varnothing$ 28 mm outer diameter at variable angles, with pre-centering; completely pre-assembled set
<b>MATERIAL</b>	Connector: Aluminum die-cast Assembly set: Steel
<b>SURFACE</b>	Connector: Plain Assembly set: Zinc plated
<b>SET</b>	4 components for outer ball butt connector D28, 2 screws DIN EN ISO 4762 (DIN 912) - M6 x 25, 2 self-locking nuts ISO 10511 - M6
<b>PACK QUANTITY</b>	10 sets



	ESD	Weight [g]	Part #
	ESD electrostatical discharging	150.0	<b>099RV28KS02</b>

**INNER BALL BUTT CONNECTOR D28 (SET)**

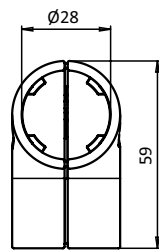
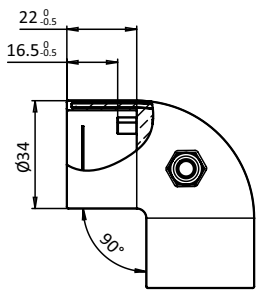
<b>MODEL</b>	For tubular frame profiles
<b>DESCRIPTION</b>	To connect two tubular frame profiles with $\varnothing$ 28 mm outer diameter at variable angles, with pre-centering; completely pre-assembled set
<b>MATERIAL</b>	Connector: Aluminum die-cast Assembly set: Steel
<b>SURFACE</b>	Connector: Plain Assembly set: Zinc plated
<b>SET</b>	4 components for inner ball butt connector D28, 2 screws DIN EN ISO 4762 (DIN 912) - M6 x 20, 2 self-locking nuts ISO 10511 - M6
<b>PACK QUANTITY</b>	10 sets



	ESD	Weight [g]	Part #
	ESD electrostatical discharging	122.0	<b>099RV28KS04</b>

**CORNER CONNECTOR 2D28 (SET)**

<b>MODEL</b>	For tubular frame profiles
<b>DESCRIPTION</b>	To connect two tubular frame profiles with $\varnothing$ 28 mm outer diameter at right angles; with pre-centering; completely pre-assembled set
<b>MATERIAL</b>	Connector: Aluminum die-cast Assembly set: Steel
<b>SURFACE</b>	Connector: Plain Assembly set: Zinc plated
<b>SET</b>	2 components for corner connector 2D28, 1 screw DIN EN ISO 4762 (DIN 912) - M6 x 25, 1 self-locking nut ISO 10511 - M6
<b>PACK QUANTITY</b>	10 sets



	ESD	Weight [g]	Part #
	ESD electrostatical discharging	98.0	<b>099RV28ES01</b>

**ADAPTER PLATE D28 (SET)**

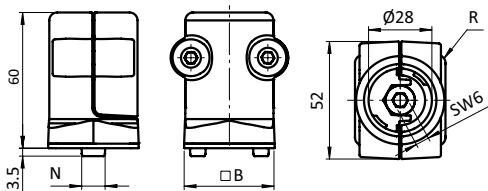
<b>MODEL</b>	For tubular frame profiles
<b>DESCRIPTION</b>	To connect tubular frame profiles with slot 8 or 10 aluminum profiles
<b>MATERIAL</b>	Adapter plates: Aluminum die-cast Centering piece: Zinc die-cast
<b>SURFACE</b>	Plain
<b>SET</b>	1 adapter plate, 2 locating pins for slot 8 and 10
<b>FASTENING</b>	With pan-head-screw ISO 7380 - M8
<b>PACK QUANTITY</b>	10 sets
<b>TIP</b>	Compatible Connector see 099RV2890LS01, 099RV28KS01, 099RV2845S01 - 099RV2890QS01 * Compatible Cutting Bush for the reduction of the Ø 10.2 mm core hole to thread size M8 see 09308801



ESD	A [mm]	R [mm]	Slot	Weight [g]	Part #
ESD electrostatical discharging	40.0	4.0	8 / 10	29.0	<a href="#">099RVAP40S01</a>
	45.0	3.0	8 / 10	33.0	<a href="#">099RVAP45S01</a>

**ADAPTER PIECE D28 - 40 M8 (SET)**

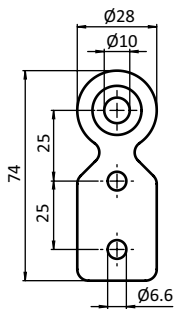
<b>MODEL</b>	For tubular frame profiles
<b>DESCRIPTION</b>	To connect a tubular frame profile with $\varnothing$ 28 mm outer diameter with a slot 10 aluminum profile; Adapter piece can be attached lateral or on the face of the profile; if attached on the front face, the core hole of the respective profile must be M8 threaded (min. 20 mm deep)
<b>MATERIAL</b>	Adapter piece: Alu die-cast Centering plate: Alu die-cast Screws: Steel Washer: Steel T-slot nut: Steel
<b>SURFACE</b>	Adapter piece: Laquered Centering plate: Laquered Screws: Zinc plated Washer: Zinc plated T-slot nut: Zinc plated
<b>COLOR</b>	Adapter piece: Alu color Centering plate: Alu color
<b>SET</b>	1 adapter piece 1 centering plate 1 screw DIN EN ISO 4762 (DIN 912) - M8 x 25 (for T-slot nut) 1 screw DIN EN ISO 4762 (DIN 912) - M8 x 30 (for core hole) 1 washer 8-FSt 1 T-slot nut - slot 10 - M8
<b>PACK QUANTITY</b>	10 sets
<b>TIP</b>	Cutting bush for the reduction of the $\varnothing$ 10.2 mm core hole to thread size M8 see 09308801



B [mm]	R [mm]	N	Weight [g]	Profile	Part #
40	3.0	10	208.5	B	<a href="#">061FA40S01</a>

**T-CONNECTOR PLATE D28**

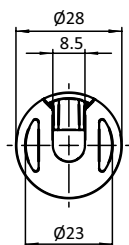
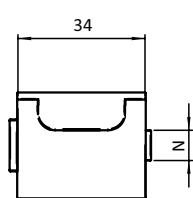
<b>MODEL</b>	For tubular frame profiles
<b>DESCRIPTION</b>	To connect a tubular frame profile with $\varnothing$ 28 mm outer diameter with an aluminum profile at right angles; screw connection to the core hole of the $\varnothing$ 28 mm profile or to the threaded sleeve for D28 M8 for $\varnothing$ 28 mm tubular profiles
<b>MATERIAL</b>	Steel
<b>SURFACE</b>	Zinc plated
<b>FASTENING</b>	With countersunk screws 1x M8 and 2x M6
<b>PACK QUANTITY</b>	10 pieces
<b>TIP</b>	Compatible Threaded Sleeve D28 M8 see 099RV28AS02



	Weight [g]	Part #
	52.3	093VAD28V

**T-CONNECTOR D28 - SLOT 10 (SET)**

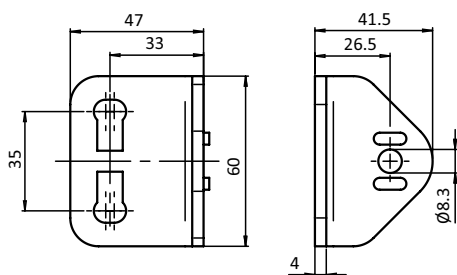
<b>MODEL</b>	For tubular frame profiles
<b>DESCRIPTION</b>	To connect a tubular frame profile with $\varnothing$ 28 mm outer diameter with a slot 10 aluminum profile
<b>MATERIAL</b>	Connector: Aluminum die-cast Cover cap: Plastic PA Assembly set: Steel
<b>SURFACE</b>	Connector: Plain Cover cap: Black Assembly set: Zinc plated
<b>SET</b>	1 T-connector D28 - slot 10, 1 cover cap, 1 self-tapping screw S8 x 25, Torx T40, 1 flange nut M8, 1 hammer head screw - Nut 10 - M8 x 20
<b>PACK QUANTITY</b>	10 sets



N	Weight [g]	Part #
10	62.0	<a href="#">099RV28TS01</a>

**MOUNTING BRACKET 60 X 47, D28 (SET)**

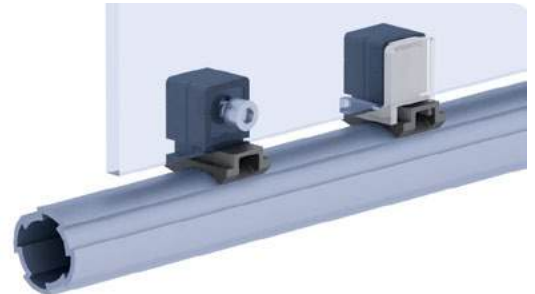
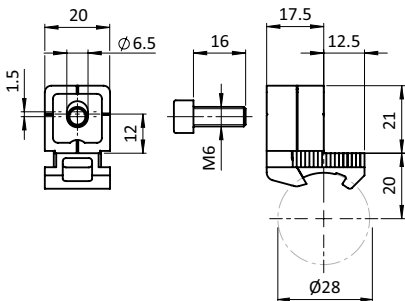
<b>MODEL</b>	For tubular frame profiles
<b>DESCRIPTION</b>	To connect a tubular frame profile with $\varnothing$ 28 mm outer diameter with a slot 10 aluminum profile; adjustable by slotted holes
<b>MATERIAL</b>	Steel
<b>SURFACE</b>	Zinc plated
<b>SET</b>	1 mounting bracket, 1 self-tapping screw S8 x 25 - Torx T40, 2 hammer head screws - Nut 10 - M8 x 20, 2 flange nuts M8
<b>PACK QUANTITY</b>	20 set



ESD	Weight [g]	Profile	Part #
ESD electrostatical discharging	176.0	B	<b>099RV28TWS01</b>

**VARIO BLOCK D28 (SET)**

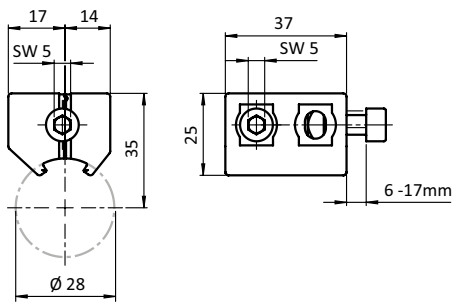
<b>MODEL</b>	For tubular frame profiles
<b>DESCRIPTION</b>	To attach panels safely to tubular frame profiles with $\varnothing$ 28 mm outer diameter; optional screwless mounting with clip clamp
<b>MATERIAL</b>	Block: Plastic PA, carbon fiber reinforced Clip clamp: Plastic PC Screws and Nut: Steel
<b>SURFACE</b>	Screws and Nut: Zinc plated
<b>COLOR</b>	Block: Black Clip clamp: Transparent colorless
<b>FIXATION SPAN</b>	With Clip clamp from 0 to 8 mm
<b>SET</b>	1 vario block AL - 2-part, 1 screw DIN 7981 - 4.2 x 9.5, 2 screws DIN EN ISO 4762 (DIN 912) - M6 x 16, 1 square nut DIN 557 - M6
<b>PACK QUANTITY</b>	100 set / 100 pieces



Version	Weight [g]	Profile	Part #
	20.0	B	<b>094524M6</b>
Clip clamp	2.8		<b>09452RA20</b>

**VARIO BLOCK AL D28 (SET)**

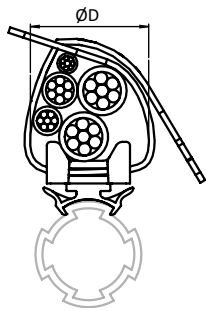
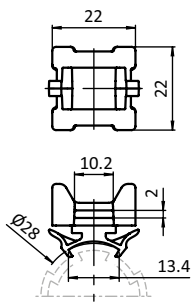
<b>MODEL</b>	For tubular frame profiles
<b>DESCRIPTION</b>	To attach panels firmly to tubular frame profiles with $\varnothing 28$ mm outer diameter, ESD electrostatical discharging
<b>MATERIAL</b>	Aluminum
<b>SURFACE</b>	Plain
<b>FIXATION SPAN</b>	Panel units with a thickness of 6 - 17 mm
<b>SET</b>	1 vario block AL - 2-part, 1 screw DIN EN ISO 4762 (DIN 912) - M6 x 30, 2 screws DIN EN ISO 4762 (DIN 912) - M6 x 22, 2 square nuts DIN 557 - M6
<b>PACK QUANTITY</b>	10 sets
<b>SPECIALS</b>	Other surfaces, other colors on request
<b>TIP</b>	Compatible Slide Rail D28 see 092060S01



Weight [g]	Profile	Part #
63.5	B	<b>094AD28</b>

**CROSS CABLE BINDER BLOCK D28**

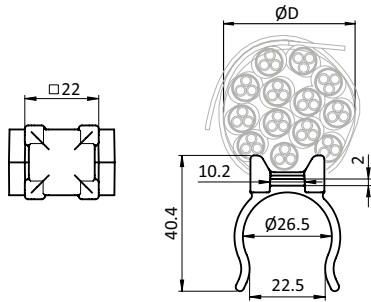
<b>MODEL</b>	For tubular frame profiles
<b>DESCRIPTION</b>	To fasten cables and tubes parallel to the slot, simple click-in assembly
<b>MATERIAL</b>	Cable binding block: Plastic PA, glass fiber reinforced Velcro® strap: Plastic PE (hook), Plastic PA (loop)
<b>COLOR</b>	Black
<b>PACK QUANTITY</b>	100 pieces



Version	ØD [mm]	Weight [g]	Part #
		4.0	<b>093291</b>
Velcro® strap	≤ 50	0.7	<b>340ME8200KL</b>

**CROSS CABLE BINDER BLOCK D28 UNIVERSAL**

<b>MODEL</b>	For tubular frame profiles
<b>DESCRIPTION</b>	To fix cables along and across aluminum profiles; can be clipped on the tubular frame profile
<b>MATERIAL</b>	Plastic PA, carbon fiber reinforced
<b>COLOR</b>	Black
<b>PACK QUANTITY</b>	100 pieces



**Weight [g]**

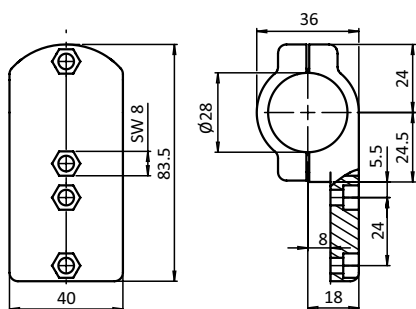
**Part #**

7.1

**093293**

**MOUNTING CLAMP D28 (SET)**

<b>MODEL</b>	For tubular frame profiles
<b>DESCRIPTION</b>	To laterally connect a tubular frame profile with $\varnothing 28$ mm outer diameter to an aluminum profile, hole spacing compatible with Ergoswiss® lift cylinders
<b>MATERIAL</b>	Connector: Zinc die-cast Assembly set: Steel
<b>SURFACE</b>	Mounting clamp: Powder coated Assembly set: Zinc plated
<b>COLOR</b>	Mounting clamp: Black
<b>SET</b>	2 components for mounting clamp D28, 2 screws DIN EN ISO 4762 (DIN 912) - M5 x 16, 2 screws DIN EN ISO 4762 (DIN 912) - M5 x 10, 2 nuts DIN 934 - M5
<b>PACK QUANTITY</b>	10 sets



Weight [g]

Part #

212.0

099RV28H

**HOLDING BRACKET XST D28**

<b>MODEL</b>	For roller tracks XST
<b>DESCRIPTION</b>	To mount roller tracks XST and guiding rails XST central to tubular frame profiles with Ø 28 mm outer diameter, preventing inserts from slipping out
<b>MATERIAL</b>	Steel
<b>SURFACE</b>	Zinc plated
<b>PACK QUANTITY</b>	10 pieces
<b>SPECIALS</b>	Other surfaces, other colors on request



Fig.	Version	Weight [g]	Part #
①	Without end stop	135.8	<a href="#">062MHD28M</a>
②	With end stop	156.1	<a href="#">062MHSD28M</a>

**HOLDING BRACKET AL D28**

<b>MODEL</b>	For roller tracks AL
<b>DESCRIPTION</b>	To mount AL roller track profiles to tubular frame profiles with $\varnothing$ 28 mm outer diameter, preventing inserts from slipping out
<b>MATERIAL</b>	Steel
<b>SURFACE</b>	Zinc plated
<b>ASSEMBLY SET</b>	5 self-drilling screws DIN 7504 Form N - 3.9 x 16
<b>PACK QUANTITY</b>	10 pieces
<b>SPECIALS</b>	Other surfaces, other colors on request

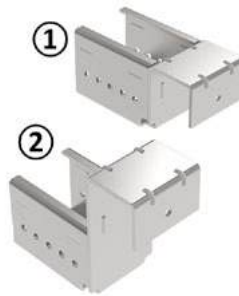
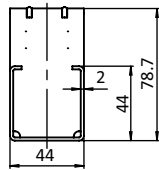
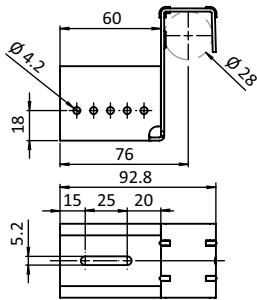
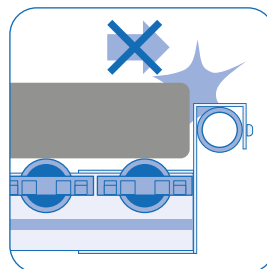
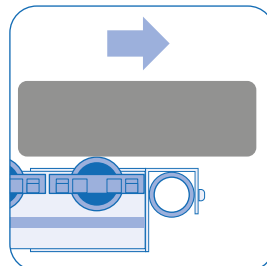
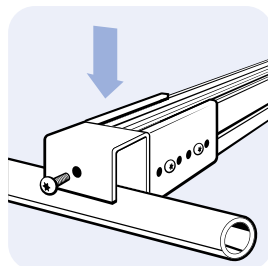
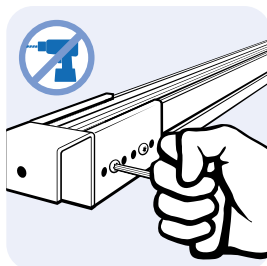
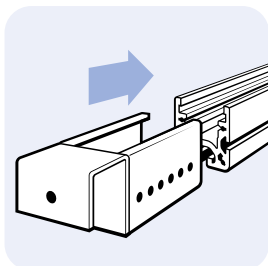


Fig.	Version	Weight [g]	Part #
①	Without end stop	176.0	<b>062AHD28M</b>
②	With end stop	198.5	<b>062AHSD28M</b>
①	Without end stop, with assembly set	186.0	<b>062AHD28MS01</b>
②	With end stop, with assembly set	208.5	<b>062AHSD28MS01</b>



**VARIABLE HOLDING BRACKET XST D28**

<b>MODEL</b>	For roller tracks XST
<b>DESCRIPTION</b>	Transition between roller tracks with varying inclination, to mount roller tracks XST and guiding rails XST central, at different angles, to tubular frame profiles with Ø 28 mm outer diameter, preventing inserts from slipping out
<b>MATERIAL</b>	Steel
<b>SURFACE</b>	Zinc plated
<b>FASTENING</b>	With 3 or 4 self-drilling screws DIN 7504 Form N - 3.9 x 16
<b>PACK QUANTITY</b>	10 pieces
<b>SPECIALS</b>	Other surfaces, other colors on request

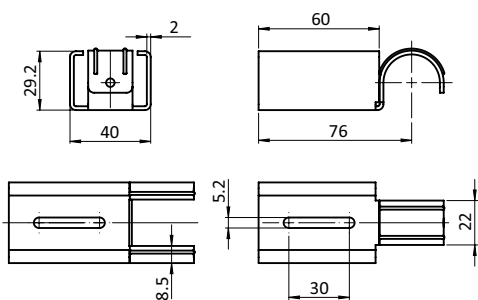


Fig.	Version	Weight [g]	Part #
①	Typ M	106.0	<a href="#">062MYMD28M</a>
②	Typ F	103.0	<a href="#">062MYFD28M</a>

**VARIABLE HOLDING BRACKET AL D28**

<b>MODEL</b>	For roller tracks AL
<b>DESCRIPTION</b>	Transition between roller track profiles with varying inclination, to mount roller track profiles AL at different angles to tubular frame profiles with $\varnothing$ 28 mm outer diameter, preventing inserts from slipping out
<b>MATERIAL</b>	Steel
<b>SURFACE</b>	Zinc plated
<b>ASSEMBLY SET 1</b>	5 self-drilling screws DIN 7504 Form N - 3.9 x 16
<b>ASSEMBLY SET 2</b>	6 self-drilling screws DIN 7504 Form N - 3.9 x 16
<b>PACK QUANTITY</b>	10 pieces / 10 set
<b>SPECIALS</b>	Other surfaces, other colors on request

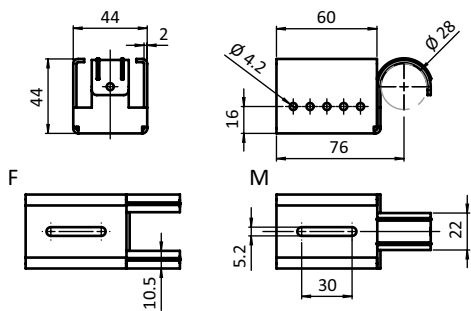
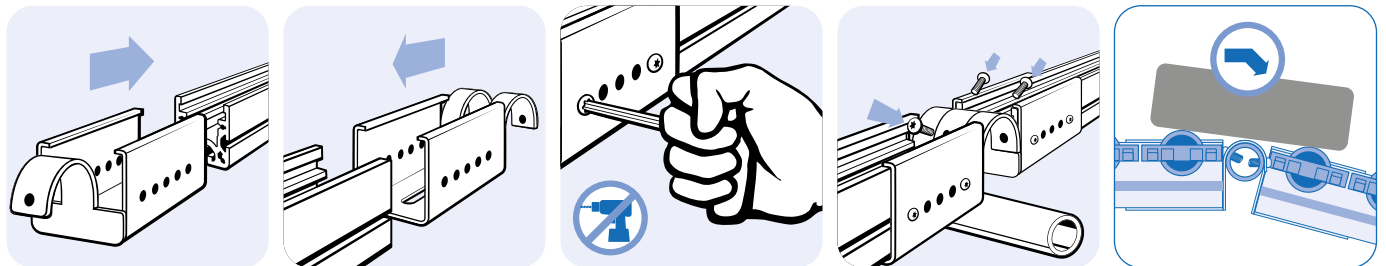
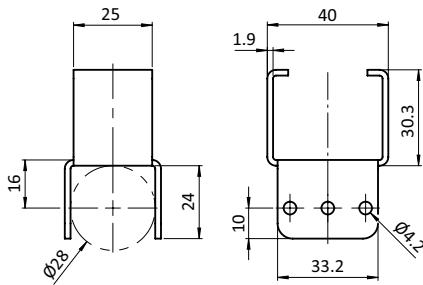


Fig.	Version	Weight [g]	Part #
②	Typ M	144.0	<b>062AYMD28M</b>
①	Typ F	142.0	<b>062AYFD28M</b>
②	Type M with assembly set 1	154.0	<b>062AYMD28MS01</b>
①	Type F with assembly set 2	154.0	<b>062AYFD28MS01</b>

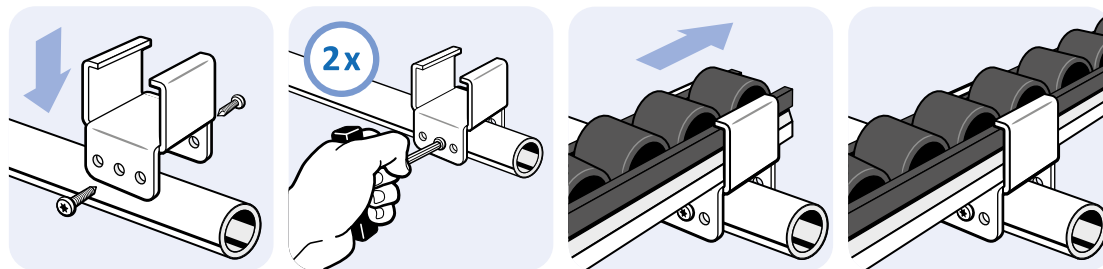


**MOUNTING BRACKET XST D28**

<b>MODEL</b>	For roller tracks XST
<b>DESCRIPTION</b>	To mount and support an roller track XST or a guiding rail XST central on a crossing tubular frame profile with $\varnothing$ 28 mm outer diameter
<b>MATERIAL</b>	Steel
<b>SURFACE</b>	Zinc plated
<b>ASSEMBLY SET</b>	2 self-drilling screws DIN 7504 Form N - 3.9 x 16
<b>PACK QUANTITY</b>	10 pieces / 10 set
<b>SPECIALS</b>	Other surfaces, other colors on request

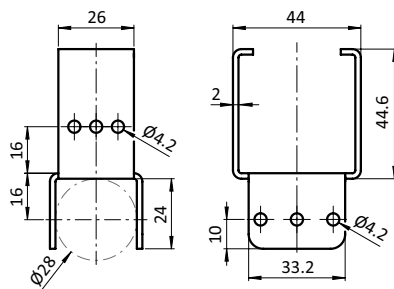


Version	Weight [g]	Part #
	64.0	062MMD28M

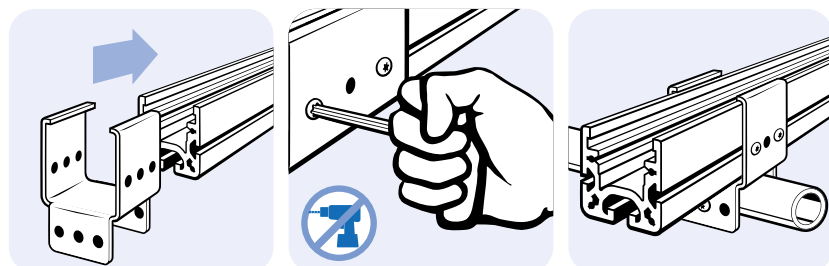


**MOUNTING BRACKET AL D28**

<b>MODEL</b>	For roller tracks AL
<b>DESCRIPTION</b>	To mount and support an AL roller track profile on a crossing tubular frame profile with $\varnothing$ 28 mm outer diameter
<b>MATERIAL</b>	Steel
<b>SURFACE</b>	Zinc plated
<b>ASSEMBLY SET</b>	6 self-drilling screws DIN 7504 Form N - 3.9 x 16
<b>PACK QUANTITY</b>	10 pieces / 10 set
<b>SPECIALS</b>	Other surfaces, other colors on request



Version	Weight [g]	Part #
	76.0	<b>062AMD28M</b>
incl. assembly set	88.0	<b>062AMD28MS01</b>



**COVER CAP D28 / D30**

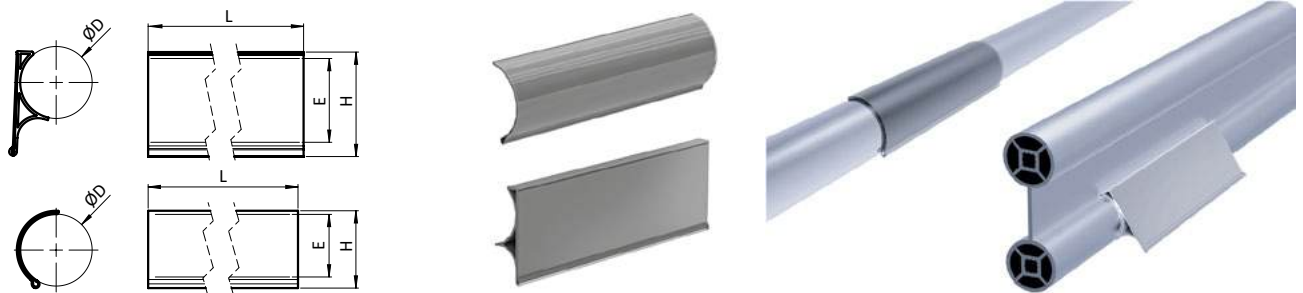
<b>MODEL</b>	For tubular frame profiles
<b>DESCRIPTION</b>	To cover the end of a tubular frame profile with $\varnothing$ 28 mm or $\varnothing$ 30 mm outer diameter
<b>MATERIAL</b>	Plastic PA, glass fiber reinforced
<b>COLOR</b>	Black, gray
<b>PACK QUANTITY</b>	100 pieces
<b>SPECIALS</b>	Other sizes, other colors on request



Fig.	Color	ESD	Slot	ØD [mm]	Weight [g]	Profile	Part #
①	Black	ESD electrostatical discharging		28	3.0	B	<a href="#">099RV28CC01</a>
②	Black	ESD electrostatical discharging	10	28	2.5	B	<a href="#">099RV28CC02</a>
③	Gray ≈ RAL 7042			30	4.6	I	<a href="#">099RV30CC01</a>
③	Black	ESD electrostatical discharging		30	4.6	I	<a href="#">099RV30CC02</a>
④	Gray ≈ RAL 7042			30	2.0	I	<a href="#">099RV30CC05</a>

**LABEL CLIP D28 / D30**

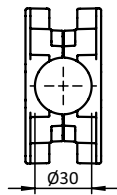
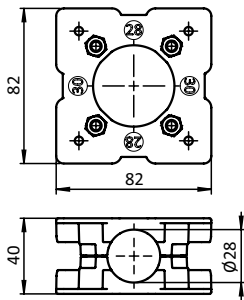
<b>MODEL</b>	For tubular frame profiles
<b>DESCRIPTION</b>	For labelling on tubular frame profiles with $\varnothing$ 28 or $\varnothing$ 30 mm outer diameter; for labels with 38 mm height
<b>MATERIAL</b>	Plastic hard PVC
<b>COLOR</b>	Straight labeling surface: Gray $\approx$ RAL 7035 / transparent Curved labeling surface: Transparent
<b>FASTENING</b>	Self-adhesive strip on the backside
<b>PACK QUANTITY</b>	20 pieces (at 102 mm / at 120 mm) or 20 meters (10 pieces at 2 m)
<b>TIP</b>	* Please note: You are ordering in meters!



Version	Color	H [mm]	L [mm]	ØD [mm]	E [mm]	Weight [g]	Profile	Part #
Straight labeling surface	Gray $\approx$ RAL 7035 / transparent	41.0	120.0	28.0	38.0	15.0	B	<a href="#">093LC38D28S01.120</a>
	Gray $\approx$ RAL 7035 / transparent	41.0	*2000	28.0	38.0	270.0	B	<a href="#">093LC38D28S01.2000</a>
Curved labeling surface	Transparent	40.0	120.0	28.0	38.0	4.0	B	<a href="#">093LCT38D28.120</a>
	Transparent	40.0	*2000	28.0	38.0	72.0	B	<a href="#">093LCT38D28.2000</a>
	Transparent	40.0	102.0	30.0	38.0	6.0	I	<a href="#">093LCT38D30.102</a>

**SUSPENSION PLATE D28 / D30**

<b>MODEL</b>	For tubular frame profiles
<b>DESCRIPTION</b>	To fix grab trays, grab containers and tray containers to horizontal or vertical tubular frame profiles with $\varnothing$ 28 mm or $\varnothing$ 30 mm outer diameter
<b>MATERIAL</b>	Suspension plate: Plastics PA, glass fiber reinforced Assembly material: Steel
<b>SURFACE</b>	Mounting material: Zinc plated
<b>COLOR</b>	Suspension plate: Black
<b>PACK QUANTITY</b>	10 pieces
<b>TIP</b>	Compatible Grab Tray see 061MGT2D391H, compatible Grab Container see 061MGC2K291H, compatible Tray Container see 061MTC2K291H



Weight [g]

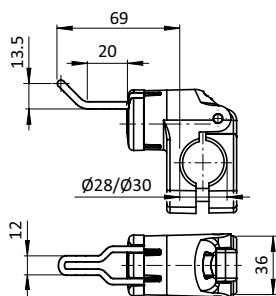
Part #

113.0

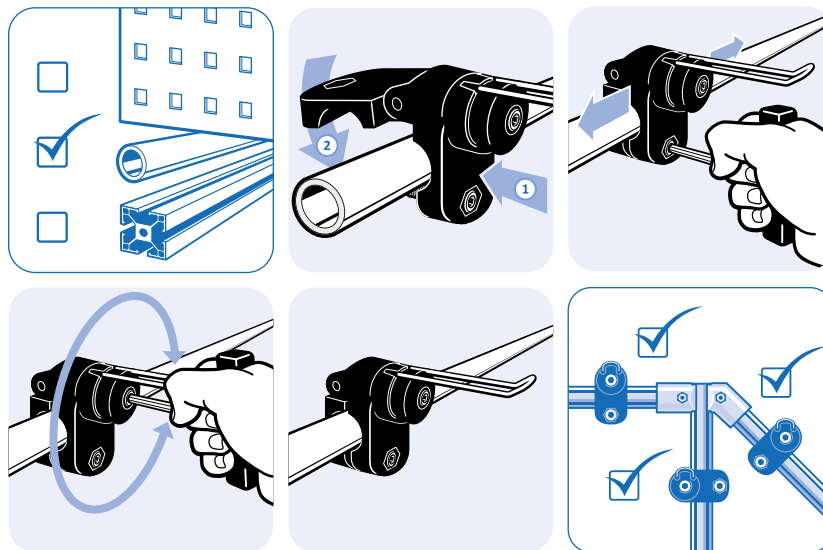
061MA291D

**TOOL HOOK FX 24/16 - 12 FOR TUBES D28 / D30**

<b>MODEL</b>	Pre-assembled
<b>DESCRIPTION</b>	Ready to use tool hook, 360° turnable, for tubes or tubular frame profiles To organize work stations
<b>MATERIAL</b>	Holder ESD electrostatical discharging version: Plastic PA, glass ball reinforced with carbon Wire: Stainless steel SS304 Spring: Spring steel SS313 Screw: Steel Nut: Steel
<b>SURFACE</b>	Screw: Zinc plated Nut: Zinc plated
<b>COLOR</b>	Holder: See table
<b>PACK QUANTITY</b>	1 piece
<b>SPECIALS</b>	Other colors on request

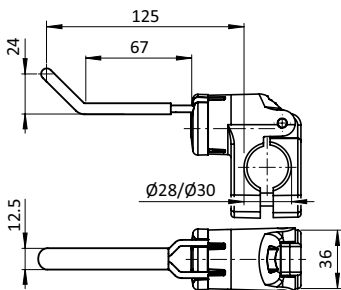


Color	ESD	Weight [g]	Part #
Black	ESD electrostatical discharging	193.0	<b>6TH2D283A5020ESDS01</b>

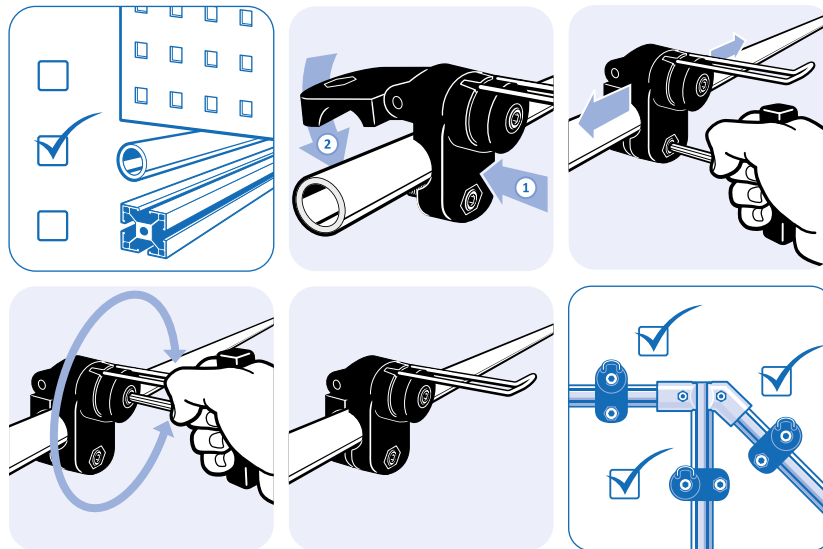


**TOOL HOOK FX 66/27 - 13, RUBBERIZED FOR TUBES D28 / D30**

<b>MODEL</b>	Pre-assembled
<b>DESCRIPTION</b>	Ready to use tool hook, 360° turnable, for tubes or tubular frame profiles; Rubber coated wire to prevent tools from slipping; To organize workstations
<b>MATERIAL</b>	Holder: Plastic PA, glass ball reinforced Wire: Stainless steel SS304 Spring: Spring steel SS313 Screw: Steel Nut: Steel
<b>SURFACE</b>	Wire: PVC coated Screw: Zinc plated Nut: Zinc plated
<b>COLOR</b>	Wire: Black coated Holder: See table
<b>PACK QUANTITY</b>	1 piece
<b>SPECIALS</b>	Other colors on request

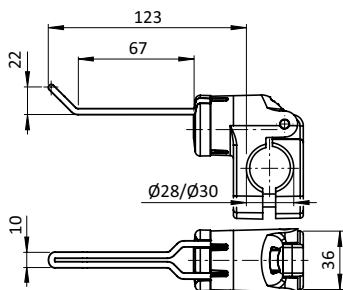


Color	Weight [g]	Part #
Black	221.7	6TH2D283A903091S01

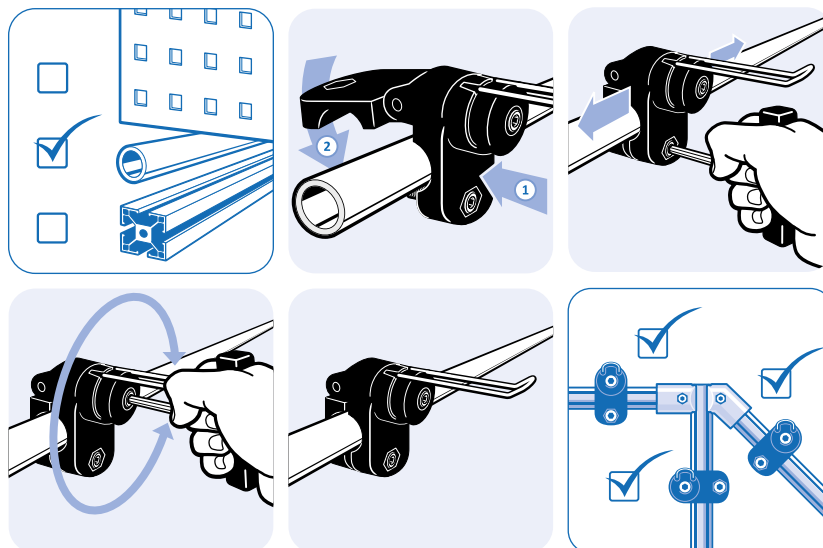


**TOOL HOOK FX 66/27 - 13 FOR TUBES D28 / D30**

<b>MODEL</b>	Pre-assembled
<b>DESCRIPTION</b>	Ready to use tool hook, 360° turnable, for tubes or tubular frame profiles To organize work stations
<b>MATERIAL</b>	Holder ESD electrostatical discharging version: Plastic PA, glass ball reinforced with carbon Wire: Stainless steel SS304 Spring: Spring steel SS313 Screw: Steel Nut: Steel
<b>SURFACE</b>	Screw: Zinc plated Nut: Zinc plated
<b>COLOR</b>	Holder: See table
<b>PACK QUANTITY</b>	1 piece
<b>SPECIALS</b>	Other colors on request

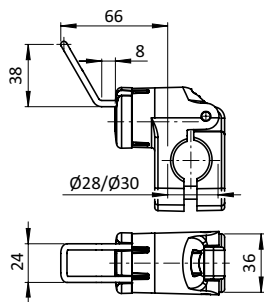


Color	ESD	Weight [g]	Part #
Black	ESD electrostatical discharging	170.7	<a href="#">6TH2D283A9030ESDS01</a>

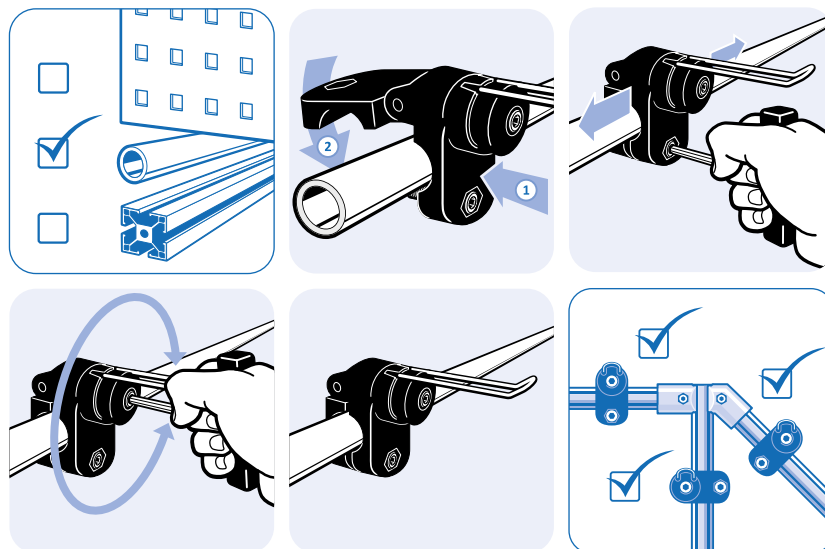


**TOOL HOOK FX 7/38 - 24 FOR TUBES D28 / D30**

<b>MODEL</b>	Pre-assembled
<b>DESCRIPTION</b>	Ready to use tool hook, 360° turnable, for tubes or tubular frame profiles To organize work stations
<b>MATERIAL</b>	Holder ESD electrostatical discharging version: Plastic PA, glass ball reinforced with carbon Wire: Stainless steel SS304 Spring: Spring steel SS313 Screw: Steel Nut: Steel
<b>SURFACE</b>	Screw: Zinc plated Nut: Zinc plated
<b>COLOR</b>	Holder: See table
<b>PACK QUANTITY</b>	1 piece
<b>SPECIALS</b>	Other colors on request

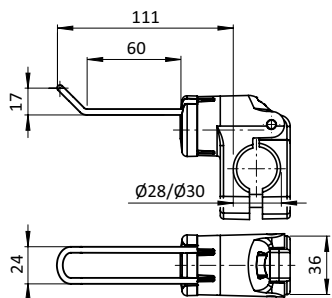


Color	ESD	Weight [g]	Part #
Black	ESD electrostatical discharging	185.0	<a href="#">6TH2D283A3040ESDS01</a>

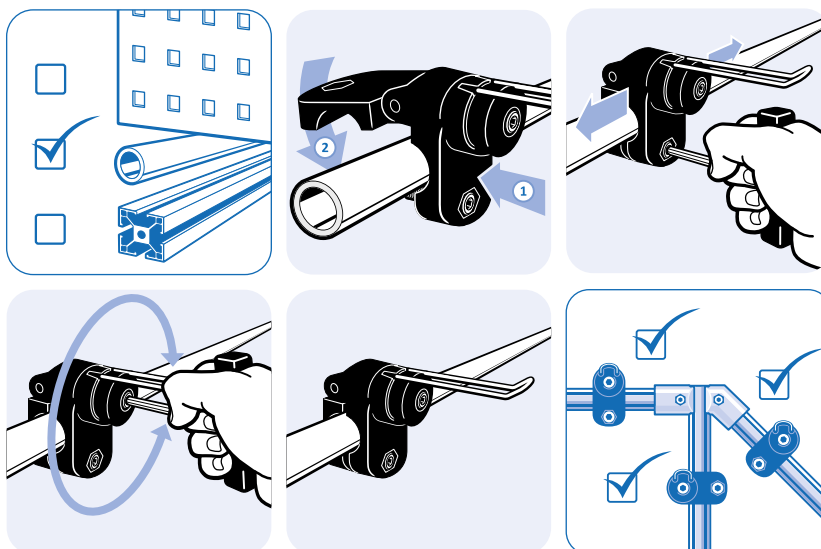


**TOOL HOOK FX 59/19 - 24 FOR TUBES D28 / D30**

<b>MODEL</b>	pre-assembled, profile 40 and up
<b>DESCRIPTION</b>	Ready to use tool hook, 360° turnable, for tubes or tubular frame profiles To organize work stations
<b>MATERIAL</b>	Holder standard version: Plastic PA, glass ball reinforced Holder ESD electrostatical discharging version: Plastic PA, glass ball reinforced with carbon Wire: Stainless steel SS304 Spring: Spring steel SS313 Screw: Steel Nut: Steel Centering piece: Plastic PA, glass fibre reinforced
<b>SURFACE</b>	Screw: Zinc plated Nut: Zinc plated
<b>COLOR</b>	Holder: See table
<b>PACK QUANTITY</b>	1 piece
<b>SPECIALS</b>	Other colors on request

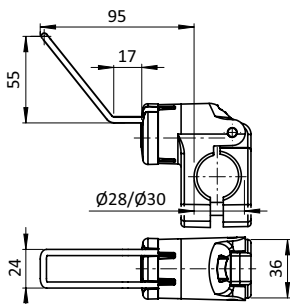


Color	ESD	Weight [g]	Part #
Black	ESD electrostatical discharging	190.0	<a href="#">6TH2D283A8020ESDS01</a>

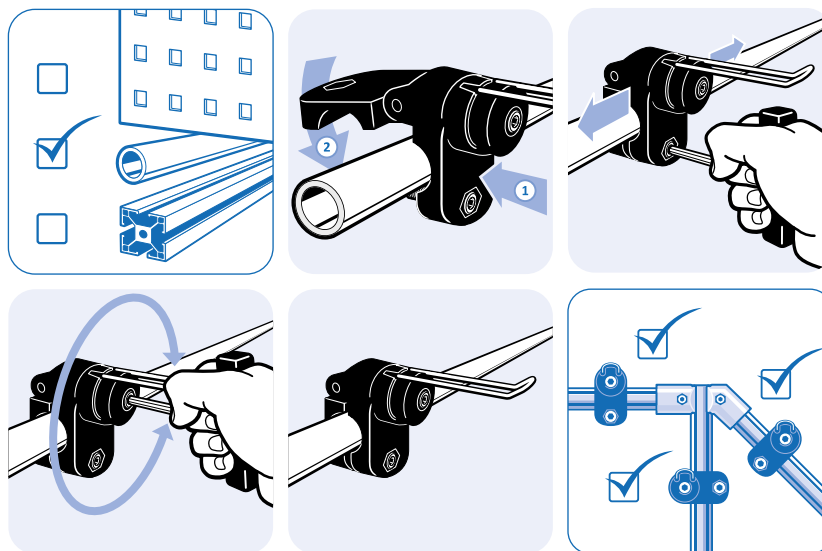


**TOOL HOOK FX 17/57 - 24 FOR TUBES D28 / D30**

<b>MODEL</b>	Pre-assembled
<b>DESCRIPTION</b>	Ready to use tool hook, 360° turnable, for tubes or tubular frame profiles To organize work stations
<b>MATERIAL</b>	Holder ESD electrostatical discharging version: Plastic PA, glass ball reinforced with carbon Wire: Stainless steel SS304 Spring: Spring steel SS313 Screw: Steel Nut: Steel
<b>SURFACE</b>	Screw: Zinc plated Nut: Zinc plated
<b>COLOR</b>	Holder: See table
<b>PACK QUANTITY</b>	1 piece
<b>SPECIALS</b>	Other colors on request

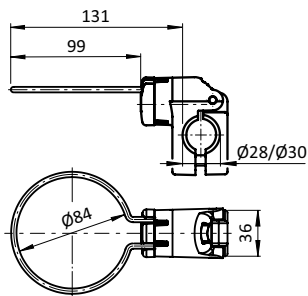


Color	ESD	Weight [g]	Part #
Black	ESD electrostatical discharging	191.1	<a href="#">6TH2D283A4060ESDS01</a>

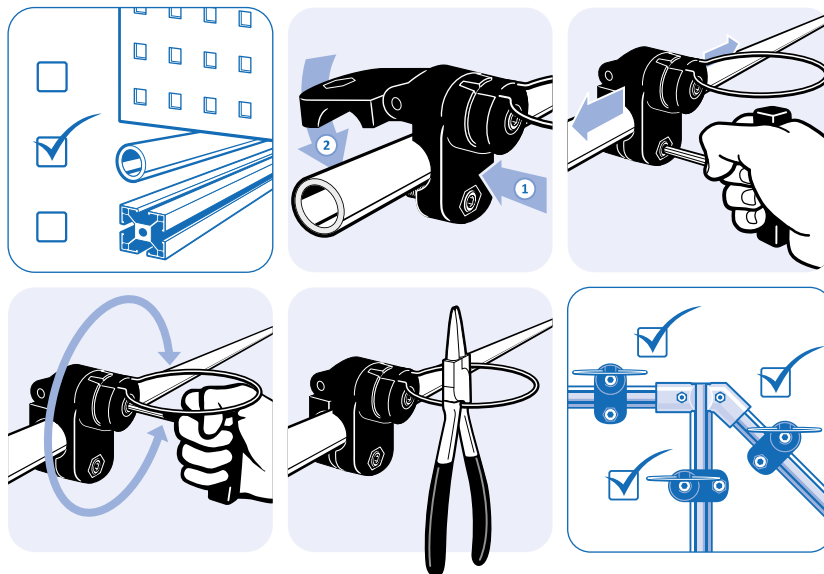


**TOOL HOLDER FX D80 FOR TUBES D28 / D30**

<b>MODEL</b>	Pre-assembled
<b>DESCRIPTION</b>	Ready to use tool holder ring with 80 mm diameter, 360° turnable, for tubes or tubular frame profiles; To organize workstations
<b>MATERIAL</b>	Holder ESD electrostatical discharging version: Plastic PA, glass ball reinforced with carbon Wire: Stainless steel SS304 Spring: Spring steel SS313 Screw: Steel Nut: Steel
<b>SURFACE</b>	Screw: Zinc plated Nut: Zinc plated
<b>COLOR</b>	Holder: See table
<b>PACK QUANTITY</b>	1 piece
<b>SPECIALS</b>	Other colors on request

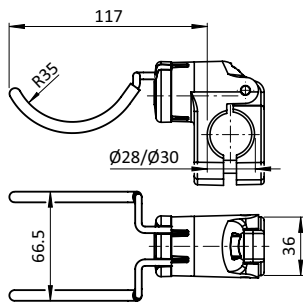


Color	ESD	Weight [g]	Part #
Black	ESD electrostatical discharging	99.3	<b>6TH2D283D80ESDS01</b>

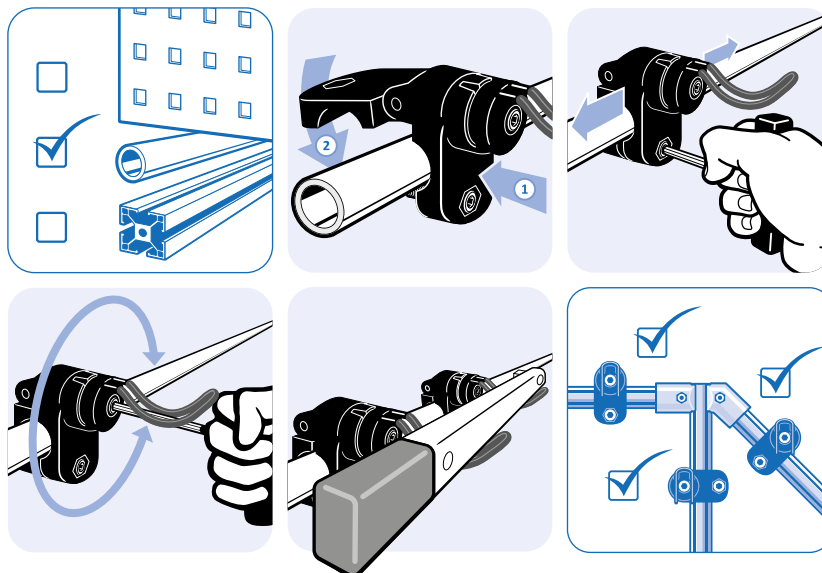


**TOOL DOUBLE HOOK FX R35 - 67, RUBBERIZED FOR TUBES D28 / D30**

<b>MODEL</b>	Pre-assembled
<b>DESCRIPTION</b>	Ready to use double tool hook, 360° turnable, for tubes and tubular frame profiles; Rubber coated wire to prevent tools from slipping; To organize workstations
<b>MATERIAL</b>	Holder: Plastic PA, glass ball reinforced Wire: Stainless steel SS304 Spring: Spring steel SS313 Screw: Steel Nut: Steel
<b>SURFACE</b>	Wire: PVC coated Screw: Zinc plated Nut: Zinc plated
<b>COLOR</b>	Holder: See table Wire: Black coated
<b>PACK QUANTITY</b>	1 piece
<b>SPECIALS</b>	Other colors on request

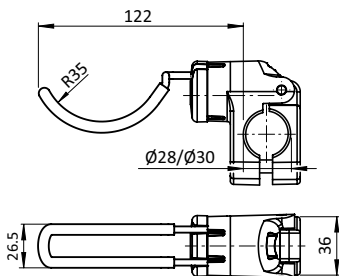


Color	Weight [g]	Part #
Black	226.0	<b>6TH2D283R3091S01</b>

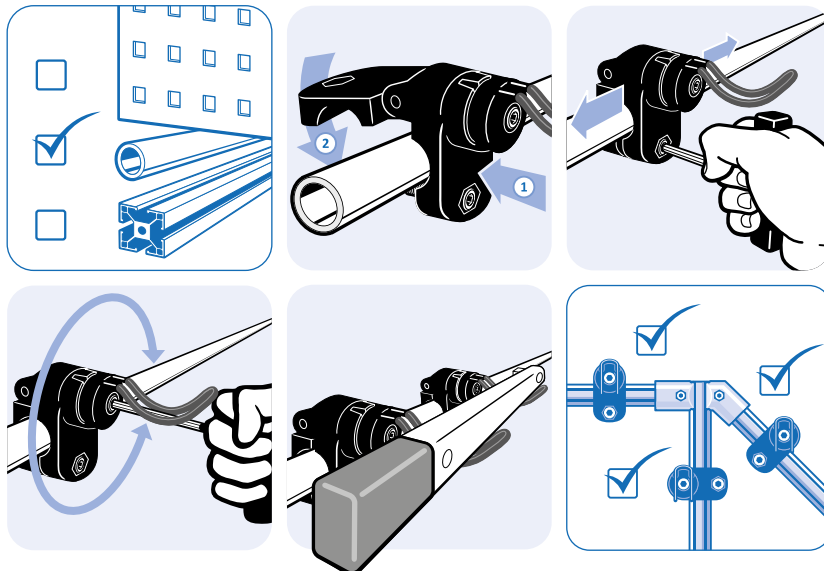


**TOOL HOOK FX R35 - 27, RUBBERIZED FOR TUBES D28 / D30**

<b>MODEL</b>	Pre-assembled
<b>DESCRIPTION</b>	Ready to use tool hook, 360° turnable, for tubes or tubular frame profiles; Rubber coated wire to prevent tools from slipping; To organize workstations
<b>MATERIAL</b>	Holder: Plastic PA, glass ball reinforced Wire: Stainless steel SS304 Spring: Spring steel SS313 Screw: Steel Nut: Steel
<b>SURFACE</b>	Wire: PVC coated Screw: Zinc plated Nut: Zinc plated
<b>COLOR</b>	Holder: See table Wire: Black coated
<b>PACK QUANTITY</b>	1 piece
<b>SPECIALS</b>	Other colors on request

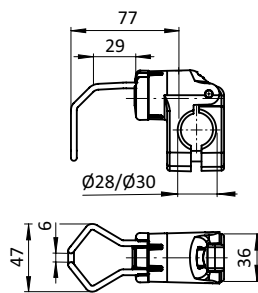


Color	Weight [g]	Part #
Black	230.0	<b>6TH2D283R4091S01</b>

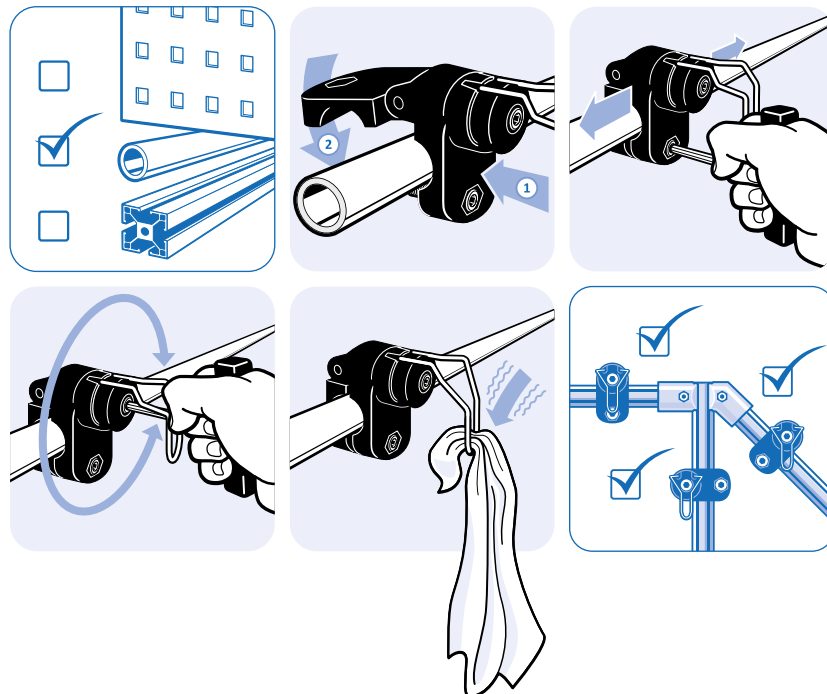


**CLOTH CLIP FX FOR TUBES D28 / D30**

<b>MODEL</b>	Pre-assembled
<b>DESCRIPTION</b>	Ready to use cloth clip, 360° turnable, for tubes or tubular frame profiles; To organize workstations
<b>MATERIAL</b>	Holder ESD electrostatical discharging version: Plastic PA, glass ball reinforced with carbon Wire: Stainless steel SS304 Spring: Spring steel SS313 Screw: Steel Nut: Steel
<b>SURFACE</b>	Screw: Zinc plated Nut: Zinc plated
<b>COLOR</b>	Holder: See table
<b>PACK QUANTITY</b>	1 piece
<b>SPECIALS</b>	Other colors on request

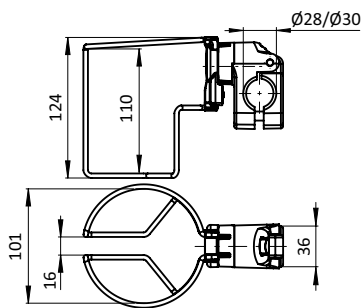


Color	ESD	Weight [g]	Part #
Black	ESD electrostatical discharging	192.0	<a href="#">6TH2D283G5050ESDS01</a>

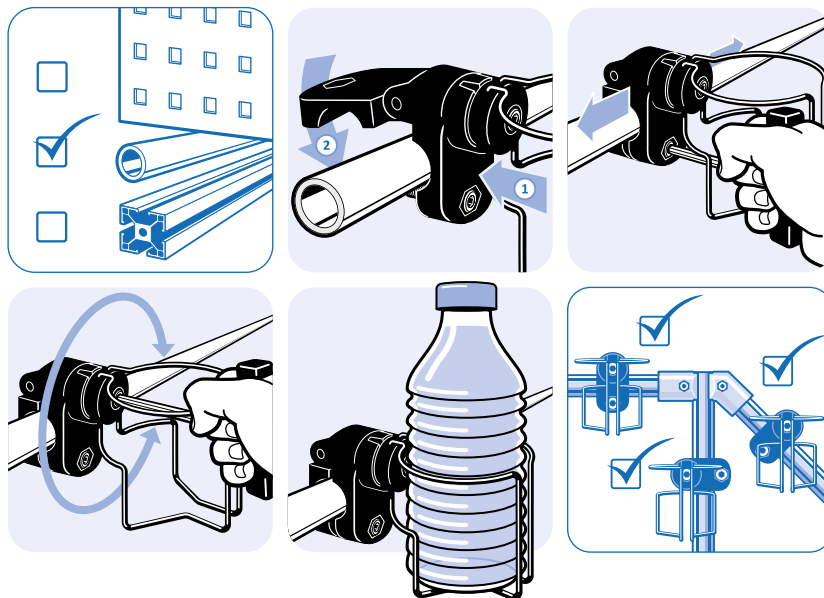


**BOTTLE HOLDER FX FOR TUBES D28 / D30**

<b>MODEL</b>	Pre-assembled
<b>DESCRIPTION</b>	Ready to use bottle holder, 360° turnable, for tubes or tubular frame profiles; To organize workstations
<b>MATERIAL</b>	Holder: Plastic PA, glass ball reinforced Wire: Stainless steel SS304 Spring: Spring steel SS313 Screw: Steel Nut: Steel
<b>SURFACE</b>	Screw: Zinc plated Nut: Zinc plated
<b>COLOR</b>	Holder: See table
<b>PACK QUANTITY</b>	1 piece
<b>SPECIALS</b>	Other colors on request

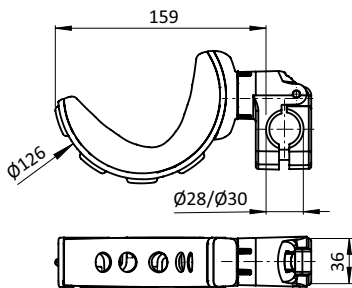


Color	Weight [g]	Part #
Black	283.4	<b>6TM8D283D100S01</b>

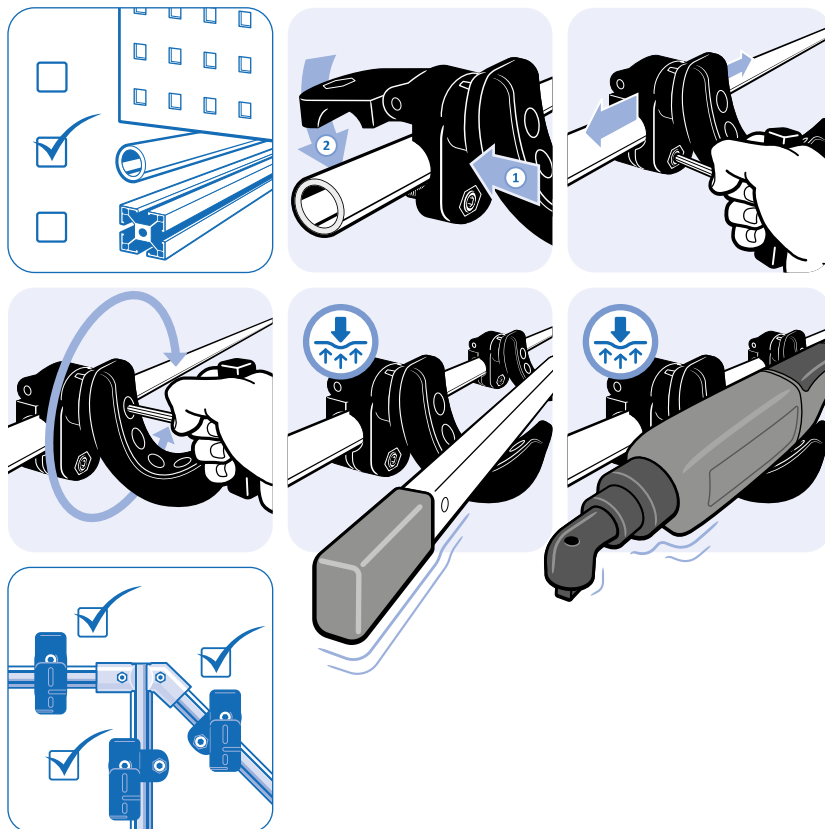


**TOOL TRAY PARABOL FX FOR TUBES D28 / D30**

<b>MODEL</b>	Pre-assembled
<b>DESCRIPTION</b>	Ready to use tool tray, 360° turnable, tilt-adjustable in 5 ways, for tubes or tubular frame profiles; Suitable for heavy tools or nutrunners; tool friendly surface; To organize workstations
<b>MATERIAL</b>	Tool tray ESD electrostatical discharging version: Plastic PA, glass ball reinforced with carbon Tray inserts standard version: Plastic TPE, ≈ 70 Shore A Tray inlay ESD electrostatical discharging version: Plastic TPE, ≈ 80 Shore A, with carbon Spring: Spring steel SS313 Washer: Steel Screw: Steel Nut: Steel
<b>SURFACE</b>	Screw: Zinc plated Nut: Zinc plated
<b>COLOR</b>	Holder: See table
<b>PACK QUANTITY</b>	1 piece
<b>SPECIALS</b>	Other colors on request

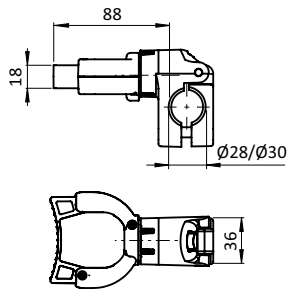


Color	ESD	Weight [g]	Part #
Black	ESD electrostatical discharging	315.2	<a href="#">6TM8D283V12591ESDS01</a>

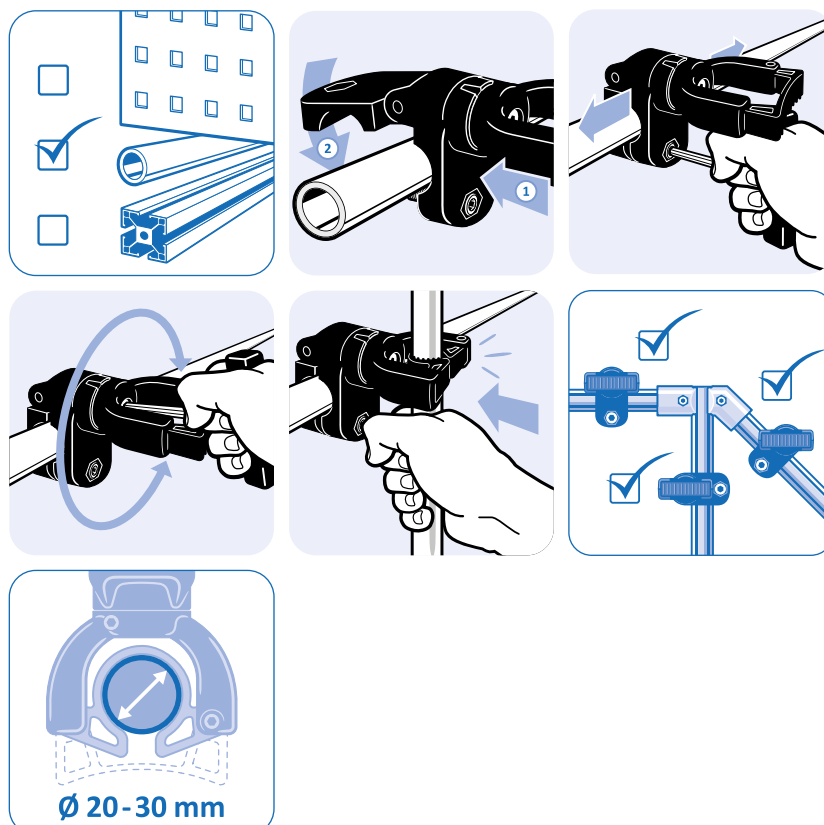


**BROOM HOLDER FLEX FX 20 - 30 FOR TUBES D28 / D30**

<b>MODEL</b>	Pre-assembled
<b>DESCRIPTION</b>	Ready to use broom holder to hang up tools with Ø 20 up to 30 mm diameter, 360° turnable, for tubes or tubular frame profiles; To organize workstations
<b>MATERIAL</b>	Broom holder: Plastic PA, glass ball reinforced Retaining strap FLEX: Plastic TPE Bushings: Steel Screws for retaining strap: Steel Spring: Spring steel SS313 Screw: Steel Nut: Steel
<b>SURFACE</b>	Screw: Zinc plated Nut: Zinc plated
<b>COLOR</b>	Holder: See table Retaining strap: Black
<b>PACK QUANTITY</b>	1 piece
<b>SPECIALS</b>	Other colors on request

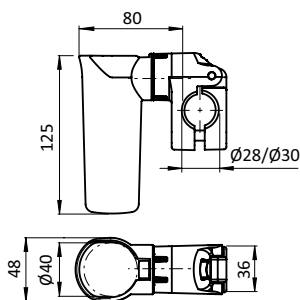


Color	Weight [g]	Part #
Black	210.2	<a href="#">6TM8D283X2030S01</a>

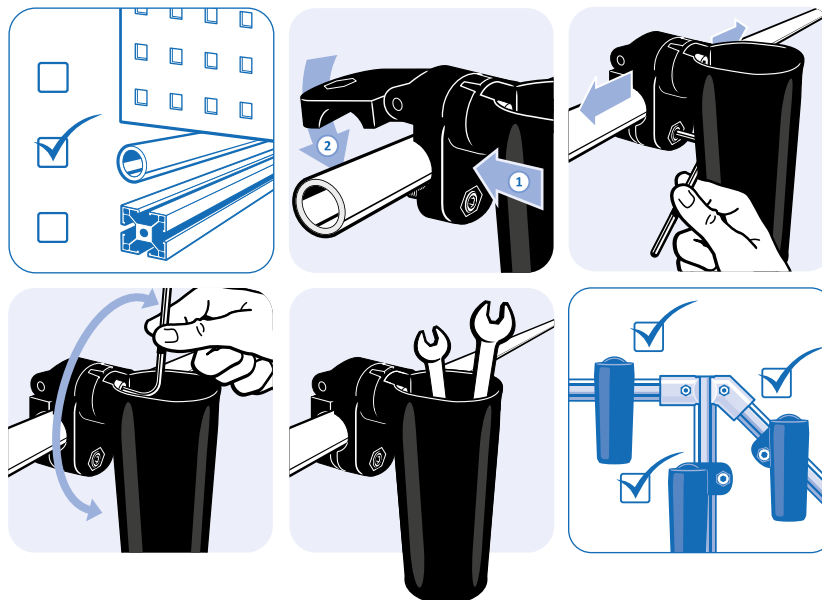


**TOOL QUIVER FX D50 FOR TUBES D28 / D30**

<b>MODEL</b>	Pre-assembled
<b>DESCRIPTION</b>	Ready to use tool quiver, outer diameter $\varnothing$ 50 mm, 360° turnable, for tubes or tubular frame profiles; To organize workstations
<b>MATERIAL</b>	Holder ESD electrostatical discharging version: Plastic PA, glass ball reinforced with carbon Quiver ESD electrostatical discharging version: Plastic PA, carbon fibre reinforced Spring: Spring steel SS313 Screw: Steel Nut: Steel
<b>SURFACE</b>	Screw: Zinc plated Nut: Zinc plated
<b>COLOR</b>	Holder: See table
<b>PACK QUANTITY</b>	1 piece
<b>SPECIALS</b>	Other colors on request

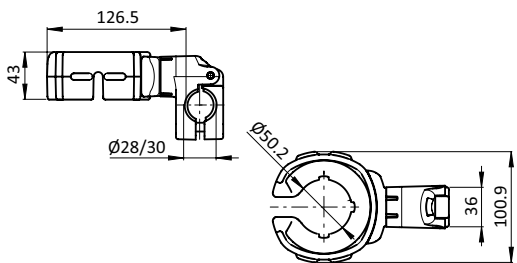


Color	ESD	Weight [g]	Part #
Black	ESD electrostatical discharging	239.0	<a href="#">6TD283Q5040ESDS01</a>

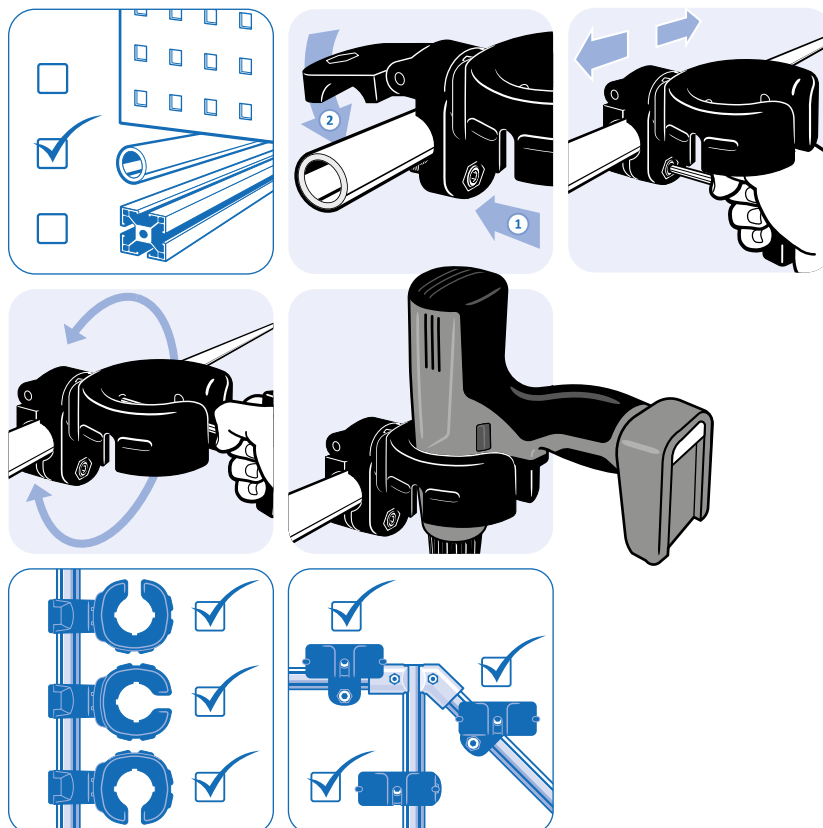


**DRILL / DRIVER HOLDER FX D50 FOR TUBES D28 / D30**

<b>MODEL</b>	Pre-assembled
<b>DESCRIPTION</b>	Ready to use tool Drill / Driver Holder for a wide range of standard cordless screwdrivers, 360° turnable, for aluminum profiles; To organize workstations
<b>MATERIAL</b>	Holder: Plastic PA, glass ball reinforced Spring: Spring steel S5313 Screw: Steel Nut: Steel
<b>SURFACE</b>	Screw: Zinc plated Nut: Zinc plated
<b>COLOR</b>	Holder: See table
<b>PACK QUANTITY</b>	1 piece
<b>SPECIALS</b>	Other colors on request

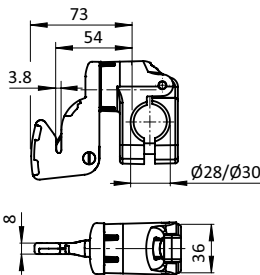


	Color	Weight [g]	Part #
	Black	254.1	6TM8D283L12591S01
	Gray ≈ RAL 7042	254.1	6TM8D283L12574S01

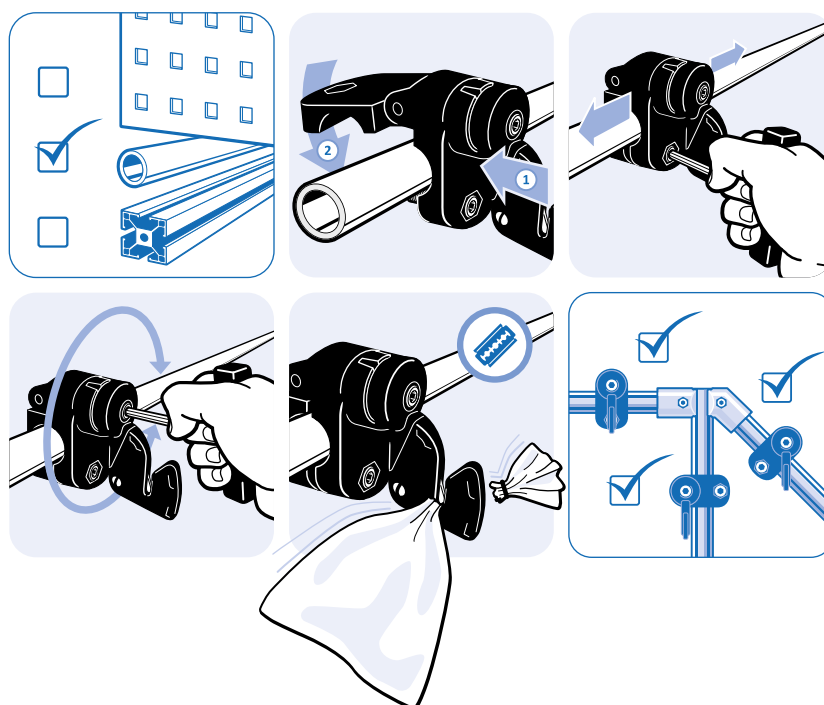


**BAG CUTTER FX FOR TUBES D28 / D30**

<b>MODEL</b>	Pre-assembled
<b>DESCRIPTION</b>	Ready to use bag cutter, changeable blade, 360° turnable, forfor tubes or tubular frame profiles and perforated metal To organize work stations
<b>MATERIAL</b>	Bag cutter ESD electrostatical discharging version: Plastic PA, glass ball reinforced with carbon Trapezoidal blade: Carbon steel Spring: Spring steel SS313 Countersunk screw: Brass Sleeve nut: Brass Screw: Steel Nut: Steel
<b>SURFACE</b>	Counter sunk screw: Nickel plated Sleeve nut: Nickel plated Screw: Zinc plated Nut: Zinc plated
<b>COLOR</b>	Holder: See table
<b>PACK QUANTITY</b>	1 piece
<b>SPECIALS</b>	Other colors on request
<b>TIP</b>	Compatible Trapezoidal Blade for Bag Cutter FX see 061TF91S01

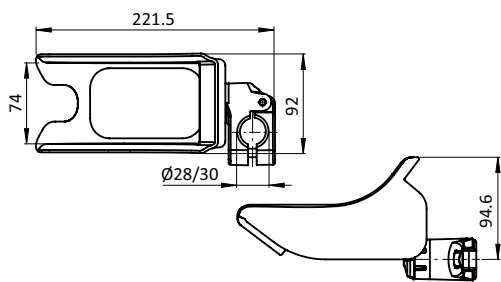


Color	ESD	Weight [g]	Part #
Black	ESD electrostatical discharging	200.8	<a href="#">6TM8D283F91ESDS01</a>

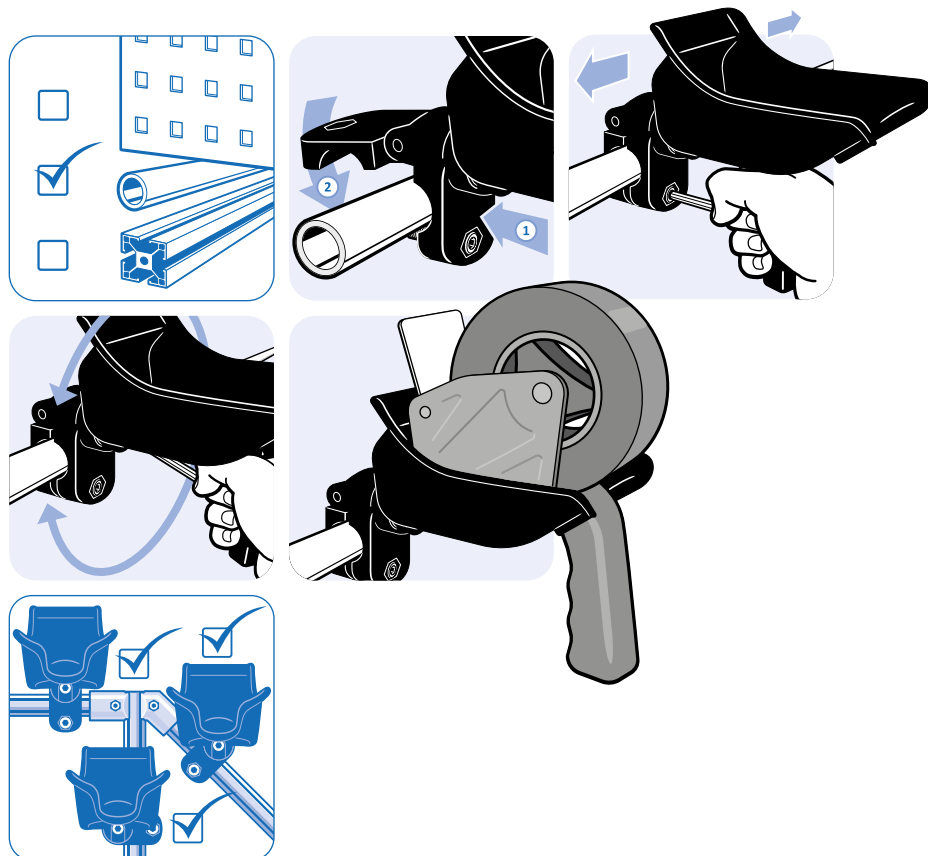


**PACKING TAPE HAND DISPENSER HOLDER FX FOR TUBES D28 / D30**

<b>MODEL</b>	Pre-assembled
<b>DESCRIPTION</b>	Ready to use tool Holder for Packing Tape Hand Dispenser, 360° turnable, for aluminum profiles; To organize workstations
<b>MATERIAL</b>	Holder: Plastic PA, glass ball reinforced Wire: Stainless steel SS304 Spring: Spring steel SS313 Screw: Steel Nut: Steel
<b>SURFACE</b>	Screw: Zinc plated Nut: Zinc plated
<b>COLOR</b>	Holder: See table
<b>PACK QUANTITY</b>	1 piece
<b>SPECIALS</b>	Other colors on request

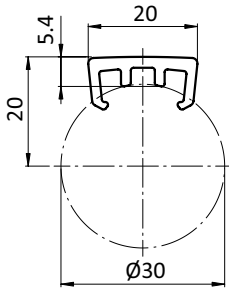


	Color	Weight [g]	Part #
	Black	250.8	6TD283PT91
	Gray ≈ RAL 7042	250.8	6TD283PT74



**SLIDE RAIL D30**

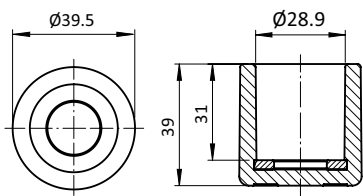
<b>MODEL</b>	Plastic PA
<b>DESCRIPTION</b>	To build simple slipways by clipping on a tubular frame profile with $\varnothing$ 30 mm outer diameter; also applicable as support strip for the mouting of panels with vario block AL D30
<b>MATERIAL</b>	Plastic HDPE
<b>COLOR</b>	Gray
<b>PACK QUANTITY</b>	20 meters (10 pieces at 2 m)
<b>TIP</b>	Please note: You are ordering in meters!



Color	ESD	Weight [g]	Profile	Part #
Gray ≈ RAL 7042	ESD electrostatical discharging	150.0	I	<a href="#">092341</a>

**PROTECTION CAP D30**

<b>MODEL</b>	For tubular frame profiles
<b>DESCRIPTION</b>	To prevent damages, scratches or injuries by the end of tubular frame profiles with Ø 30 mm outer diameter; End-position damping in Karakuri/LCA applications; Prevents movement of tubular frame profiles on slippery surfaces and absorbs some vibration; Punch through safe due to added steel inlay, elastic and surrounding design
<b>MATERIAL</b>	Protection cap: Plastic TPE Inlay: Steel
<b>SURFACE</b>	Inlay: Zinc plated
<b>COLOR</b>	Gray ≈ RAL 7042
<b>PACK QUANTITY</b>	10 pieces
<b>SPECIALS</b>	Other colors, other sizes on request



	Weight [g]	Profile	Part #
	37.1	I	<a href="#">099RV30CC03</a>

**COVER CAP FOR TUBULAR FRAME CONNECTORS D30**

<b>MODEL</b>	For tubular frame profiles
<b>DESCRIPTION</b>	To cover the screw hole of connectors for tubular frame profiles with $\varnothing$ 30 mm outer diameter
<b>MATERIAL</b>	Plastic PA, glass fiber reinforced
<b>COLOR</b>	Gray $\approx$ RAL 7042
<b>PACK QUANTITY</b>	100 pieces

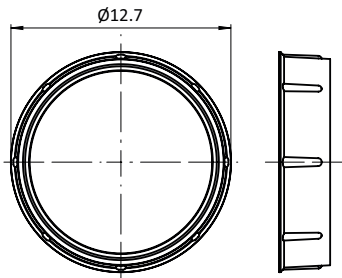
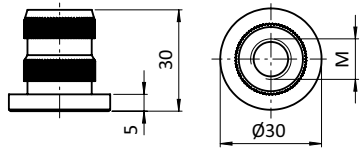


Fig.	Weight [g]	Profile	Part #
①	0.22	I	<a href="#">099RV30CC06</a>
②	0.17	I	<a href="#">099RV30CC07</a>

**THREADED SLEEVE AL D30**

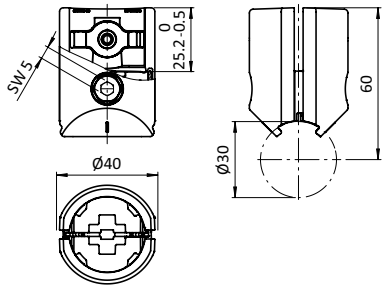
<b>MODEL</b>	For tubular frame profiles
<b>DESCRIPTION</b>	To fix leveling feet or casters to the front of tubular frame profiles with Ø 30 mm outer diameter
<b>MATERIAL</b>	Aluminum
<b>PACK QUANTITY</b>	10 pieces



	ESD	M	Weight [g]	Profile	Part #
ESD electrostatical discharging		M6	29.0	I	<a href="#">098VR300006</a>
		M8	28.0	I	<a href="#">098VR300008</a>
		M10	26.0	I	<a href="#">098VR300010</a>

**OUTER T-CONNECTOR D30 (SET)**

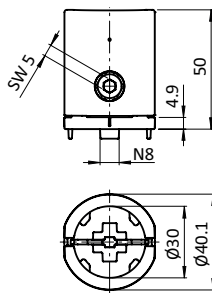
<b>MODEL</b>	For tubular frame profiles
<b>DESCRIPTION</b>	To connect two tubular frame profiles with $\varnothing$ 30 mm outer diameter at right angles
<b>MATERIAL</b>	Connector: Aluminum die-cast Assembly set: Steel
<b>SURFACE</b>	Assembly set: Zinc plated
<b>SET</b>	2 components for outer T-connector D30, 1 screw DIN EN ISO 4762 (DIN 912) - M6 x 28, 1 self-locking nut ISO 10511 - M6
<b>PACK QUANTITY</b>	10 sets
<b>TIP</b>	Compatible Cover Cap for Tubular Frame Connectors D30 see 099RV30CC06



ESD	Weight [g]	Part #
ESD electrostatical discharging	56.0	<b>099RV3090LS01</b>

**OUTER T-CONNECTOR D30 - SLOT 8 (SET)**

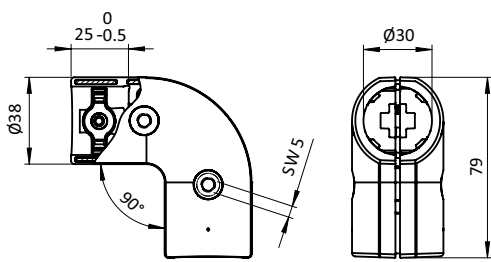
<b>MODEL</b>	For tubular frame profiles
<b>DESCRIPTION</b>	To connect a tubular frame profile with $\varnothing$ 30 mm outer diameter with a slot 8 aluminum profile
<b>MATERIAL</b>	Connector: Aluminum die-cast Adapter plate: Aluminum die-cast Assembly set: Steel
<b>SURFACE</b>	Assembly set: Zinc plated
<b>SET</b>	2 components for outer T-connector D30 - slot 8 1 adapter plate 1 screw DIN EN ISO 4762 (DIN 912) - M6 x 28 1 self locking nut ISO10511 - M6
<b>FASTENING</b>	On profile I - slot 8 - using screw ISO 7380 - M6 x 14
<b>PACK QUANTITY</b>	10 sets
<b>TIP</b>	Compatible Cover Cap for Tubular Frame Connectors D30 see 099RV30CC06



ESD	Weight [g]	Profile	Part #
ESD electrostatical discharging	109.0	I	<a href="#">099RV3090LS02</a>

**CORNER CONNECTOR 2D30 (SET)**

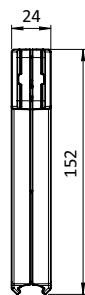
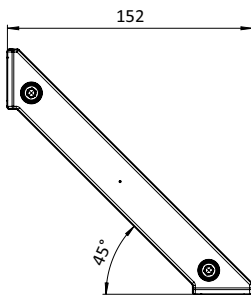
<b>MODEL</b>	For tubular frame profiles
<b>DESCRIPTION</b>	To connect two tubular frame profiles with $\varnothing$ 30 mm outer diameter at right angles; with pre-centering; completely pre-assembled set
<b>MATERIAL</b>	Connector: Aluminum die-cast Assembly set: Steel
<b>SURFACE</b>	Assembly set: Zinc plated
<b>SET</b>	2 components for corner connector 2D30, 2 screw DIN EN ISO 4762 (DIN 912) - M6 x 25, 2 self-locking nuts ISO 10511 - M6
<b>PACK QUANTITY</b>	10 sets
<b>TIP</b>	Compatible Cover Cap for Tubular Frame Profile Connector D30 see 099RV30CC06



ESD	Weight [g]	Part #
ESD electrostatical discharging	218.0	<b>099RV30ES01</b>

**ANGLE CONNECTOR 2D30 (SET)**

<b>MODEL</b>	For tubular frame profiles
<b>DESCRIPTION</b>	To connect two tubular frame profiles with $\varnothing$ 30 mm outer diameter at right angle; Completely pre-assembled set
<b>MATERIAL</b>	Connector: Aluminum die-cast Assembly set: Steel
<b>SURFACE</b>	Assembly set: Zinc plated
<b>SET</b>	2 components for angle connector 2D30, 2 screws DIN EN ISO 4762 (DIN 912) - M6 x 14, 2 self-locking nuts ISO 10511 - M6
<b>PACK QUANTITY</b>	10 sets
<b>TIP</b>	Compatible Cover Cap for Tubular Frame Connectors D30 see 099RV30CC07



ESD	Weight [g]	Profile	Part #
ESD electrostatical discharging	201.8	I	<a href="#">099RV3090QS01</a>

**T-CONNECTOR PLATE D30 (SET)**

<b>MODEL</b>	For tubular frame profiles
<b>DESCRIPTION</b>	To connect a tubular frame profile with $\varnothing$ 30 mm outer diameter with an aluminum profile at right angles; Screw connection to the core hole M6 of the tubular frame profile $\varnothing$ 30 mm or to the threaded sleeve AL D30 M6 for tubular frame profiles
<b>MATERIAL</b>	Steel
<b>SURFACE</b>	Zinc plated
<b>SET 1</b>	1 T-connector plate, 2 T-slot nuts - slot 6 - M6, 2 screws DIN 7991 - M6 x 12, 1 screw DIN 7991 - M6 x 20
<b>SET 2</b>	1 T-connector plate, 1 double T-slot nut - slot 8 - 2x M6, 2 screws DIN 7991 - M6 x 14, 1 screw DIN 7991 - M6 x 20
<b>PACK QUANTITY</b>	10 sets

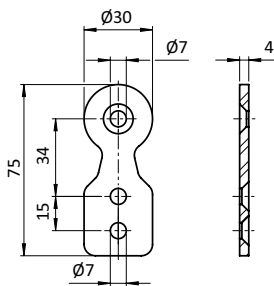
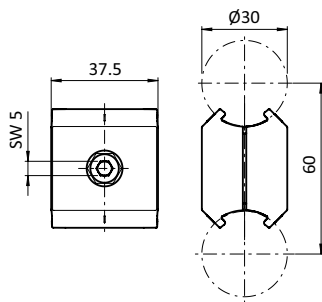


Fig.	Set	Slot	Weight [g]	Profile	Part #
①	Set 1	6	69.0	I	<a href="#">093VAD30VS01</a>
②	Set 2	8	71.0	I	<a href="#">093VAD30V</a>

**PARALLEL CONNECTOR D30 (SET)**

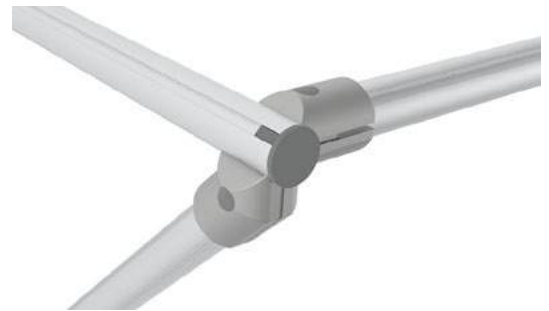
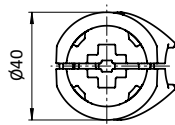
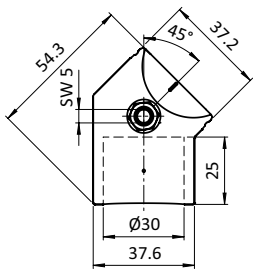
<b>MODEL</b>	For tubular frame profiles
<b>DESCRIPTION</b>	To parallelly connect two tubular frame profiles with Ø 30 mm outer diameter; with pre-centering; completely pre-assembled set
<b>MATERIAL</b>	Connector: Aluminum die-cast Assembly set: Steel
<b>SURFACE</b>	Assembly set: Zinc plated
<b>SET</b>	2 components for parallel connector D30, 1 screw DIN EN ISO 4762 (DIN 912) - M6 x 20, 1 self-locking nut ISO 10511 - M6
<b>PACK QUANTITY</b>	10 sets
<b>TIP</b>	Compatible Cover Caps for Tubular Frame Connectors D30 see 099RV30CC07



	ESD	Weight [g]	Part #
	ESD electrostatical discharging	76.0	<b>099RV30PS02</b>

**ANGLE CONNECTOR D30, 45° (SET)**

<b>MODEL</b>	For tubular frame profiles
<b>DESCRIPTION</b>	To connect two tubular frame profiles with $\varnothing$ 30 mm outer diameter at 45°; with pre-centering; completely pre-assembled set
<b>MATERIAL</b>	Connector: Aluminum die-cast Assembly set: Steel
<b>SURFACE</b>	Assembly set: Zinc plated
<b>SET</b>	2 components for angle connector D30, 45°, 1 screw DIN EN ISO 4762 (DIN 912) - M6 x 28, 1 self-locking nut ISO 10511 - M6
<b>PACK QUANTITY</b>	10 sets
<b>TIP</b>	Compatible Cover Cap for Tubular Frame Connectors D30 see 099RV30CC06

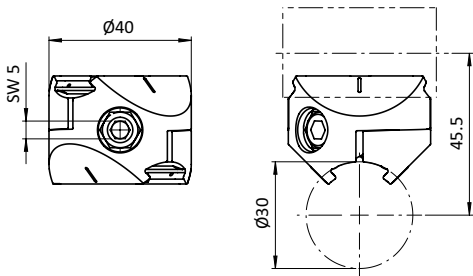


**ESD Weight [g] Part #**

ESD electrostatical discharging 102.0 **099RV3045S01**

**CROSS CONNECTOR D30 (SET)**

<b>MODEL</b>	For tubular frame profiles
<b>DESCRIPTION</b>	To cross connect two tubular frame profiles with $\varnothing$ 30 mm outer diameter; Completely pre-assembled set
<b>MATERIAL</b>	Connector: Aluminum die-cast Assembly set: Steel
<b>SURFACE</b>	Assembly set: Zinc plated
<b>SET</b>	2 components for cross connector D30, 1 screw DIN EN ISO 4762 (DIN 912) - M6 x 30, 1 self-locking nut ISO 10511 - M6
<b>PACK QUANTITY</b>	10 sets
<b>TIP</b>	Compatible Cover Cap for Tubular Frame Connectors D30 see 099RV30CC06



	ESD	Weight [g]	Part #
	ESD electrostatical discharging	65.3	<b>099RV30XS01</b>

**CROSS BALL CONNECTOR D30 (SET)**

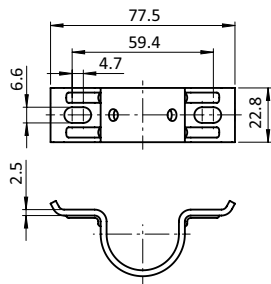
<b>MODEL</b>	For tubular frame profiles
<b>DESCRIPTION</b>	To cross connect two tubular frame profiles with $\varnothing$ 30 mm outer diameter at variable angles, with pre-centering; completely pre-assembled set
<b>MATERIAL</b>	Connector: Aluminum die-cast Assembly set: Steel
<b>SURFACE</b>	Assembly set: Zinc plated
<b>SET</b>	4 cross ball connector D30, 2 screws DIN EN ISO 4762 (DIN 912) - M6 x 28, 2 self-locking nuts ISO 10511 - M6
<b>PACK QUANTITY</b>	10 sets
<b>TIP</b>	Compatible Cover Cap for Tubular Frame Connectors D30 see 099RV30CC06



	ESD	Weight [g]	Part #
	ESD electrostatical discharging	220.0	<b>099RV30KS04</b>

**MOUNTING BRACKET D30 (SET)**

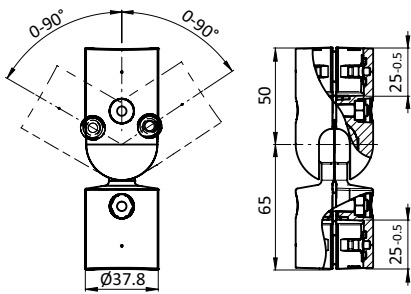
<b>MODEL</b>	For tubular frame profiles
<b>DESCRIPTION</b>	To support an roller track AL or a aluminum profile slot 8 on a crossing tubular frame profile with Ø 30 mm outer diameter
<b>MATERIAL</b>	Steel
<b>SURFACE</b>	Zinc plated
<b>SET</b>	1 mounting bracket, 2 T-slot nuts - slot 8 - M6, 2 screws DIN EN ISO 4762 (DIN 912) - M6 x 16
<b>PACK QUANTITY</b>	20 set



Weight [g]	Pro- file	Part #
66.3		<b>099RV30HS01</b>

**OUTER BALL BUTT CONNECTOR D30 (SET)**

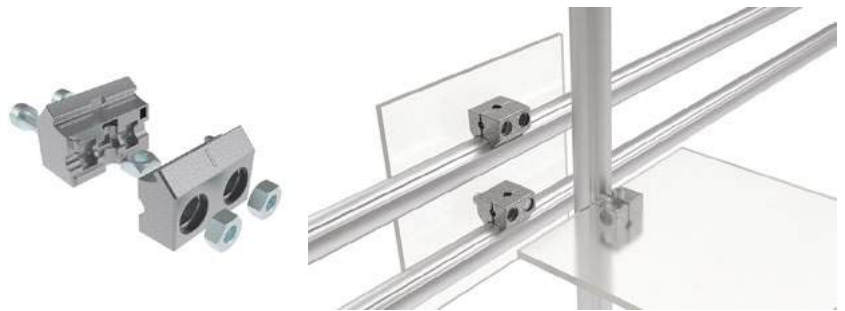
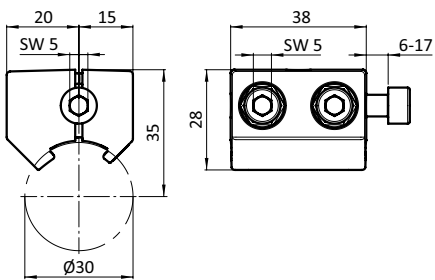
<b>MODEL</b>	For tubular frame profiles
<b>DESCRIPTION</b>	To connect two tubular frame profiles with $\varnothing$ 30 mm outer diameter at variable angles, with pre-centering; completely pre-assembled set
<b>MATERIAL</b>	Connector: Aluminum die-cast Assembly set: Steel
<b>SURFACE</b>	Assembly set: Zinc plated
<b>SET</b>	4 components for outer ball butt connector D30, 2 screws DIN EN ISO 4762 (DIN 912) - M6 x 30, 2 self-locking nuts ISO 10511 - M6
<b>PACK QUANTITY</b>	10 sets
<b>TIP</b>	Compatible Cover Cap for Tubular Frame Connectors D30 see 099RV30CC06



	ESD	Weight [g]	Part #
	ESD electrostatical discharging	219.0	<b>099RV30KS03</b>

**VARIO BLOCK AL D30**

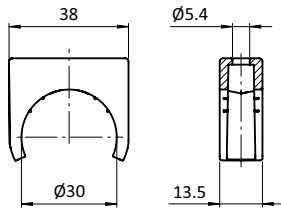
<b>MODEL</b>	For tubular frame profiles
<b>DESCRIPTION</b>	To attach panels firmly to tubular frame profiles with Ø 30 mm outer diameter; ESD electrostatical discharging
<b>MATERIAL</b>	Vario block AL: Aluminum die-cast Assembly set: Steel
<b>SURFACE</b>	Assembly set: Zinc plated
<b>SET</b>	1 vario block AL - 2-part, 2 screws DIN EN ISO 4762 (DIN 912) - M6 x 20, 1 square nut DIN 557 - M6 2 self-locking nuts ISO 10511 - M6
<b>PACK QUANTITY</b>	10 sets
<b>SPECIALS</b>	Other surfaces, other colors on request
<b>TIP</b>	Compatible Cover Cap for Tubular Frame Connectors D30 see 099RV30CC07



Weight [g]	Profile	Part #
79.2	I	094AD30

**PANEL CLIP D30**

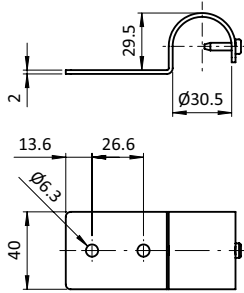
<b>MODEL</b>	For tubular frame profiles
<b>DESCRIPTION</b>	To temporarily attach panels to tubes or tubular frame profiles with $\varnothing$ 30 mm outer diameter; For screwing the surface element a hexagon nut M5 can be inserted in the panel clip D30
<b>MATERIAL</b>	Plastic PA, glass ball reinforced
<b>COLOR</b>	Gray $\approx$ RAL 7042
<b>PACK QUANTITY</b>	10 pieces
<b>TIP</b>	Compatible Hexagon Nuts see 4DIN934M5M



Weight [g]	Profile	Part #
8.0	I	<a href="#">099RV30180S</a>

**TOP SUSPENSION D30 (SET)**

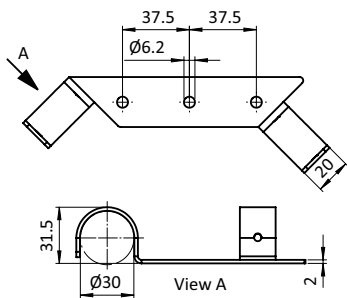
<b>MODEL</b>	For tubular frame profiles
<b>DESCRIPTION</b>	To mount table tops or shelf boards within a frame of tubular frame profiles with $\varnothing 30$ mm outer diameter
<b>MATERIAL</b>	Steel
<b>SURFACE</b>	Zinc plated
<b>SET</b>	1 top suspension D30 1 self-drilling screws DIN 7504 Form N - 3.9 x 16
<b>PACK QUANTITY</b>	10 sets



Weight [g]	Profile	Part #
80.0	I	<a href="#">099RV30TW</a>

**TOP CORNER SUSPENSION D30 (SET)**

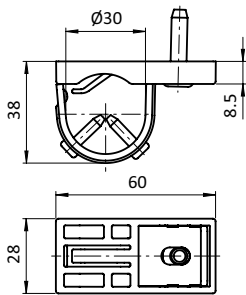
<b>MODEL</b>	For tubular frame profiles
<b>DESCRIPTION</b>	For putting in plates, shelf boards or work piece carriers horizontally on tubular frame profiles with $\varnothing$ 30 mm outer diameter; With holes to screw on tubular frame profile and plate
<b>MATERIAL</b>	Top corner suspension: Steel Screws: Steel
<b>SURFACE</b>	Top corner suspension: Zinc plated; Screws: Zinc plated
<b>SET</b>	1 top corner suspension 2 self-drilling screws DIN 7504 form N - 3.9 x 16
<b>PACK QUANTITY</b>	10 sets
<b>TIP</b>	Please note for cutting table tops to size: Tubular Frame Connectors D30 require a 5 mm gap all the way around



Weight [g]	Profile	Part #
94.0	I	<a href="#">099RV3090QS02</a>

**TOP CLAMP D30 (SET)**

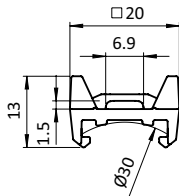
<b>MODEL</b>	For tubular frame profiles
<b>DESCRIPTION</b>	To mount wooden table tops or chipboards on a frame of tubular frame profiles with $\varnothing$ 30 mm outer diameter
<b>MATERIAL</b>	Clamp: Steel Spacer: Plastic PA, glass fiber reinforced Screws: Steel
<b>SURFACE</b>	Clamp: Zinc plated Screws: Zinc plated
<b>COLOR</b>	Spacer: Gray $\approx$ RAL 7042
<b>SET</b>	1 clamp 1 spacer 1 wood screw 6 x 25 2 self-drilling screws DIN 7504 form N - 3.9 x 16
<b>PACK QUANTITY</b>	10 sets



Weight [g]	Profile	Part #
91.0	I	<a href="#">099RV30H</a>

**CROSS CABLE BINDER BLOCK D30**

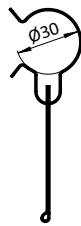
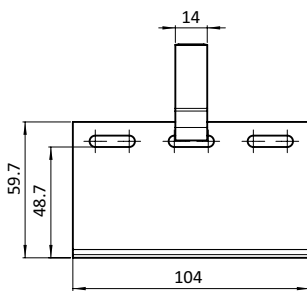
<b>MODEL</b>	For tubular frame profiles
<b>DESCRIPTION</b>	To fix cables along and across aluminum profiles; can be clipped on the tubular frame profile
<b>MATERIAL</b>	Plastic PP
<b>COLOR</b>	Black
<b>PACK QUANTITY</b>	100 pieces



	Weight [g]	Profile	Part #
	1.3	I	093292

**LABEL HOLDER D30 (SET)**

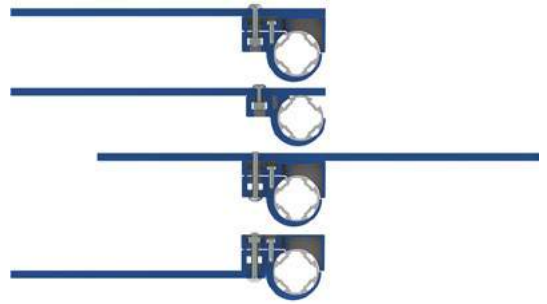
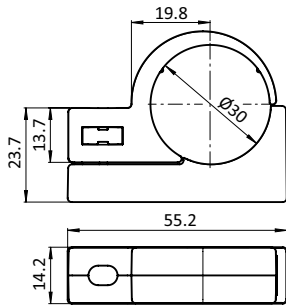
<b>MODEL</b>	For tubular frame profiles
<b>DESCRIPTION</b>	For labelling on tubular frame profiles with $\varnothing$ 30 mm outer diameter; For labels with 42 mm height and 100 mm width
<b>MATERIAL</b>	Label holder: Plastic PET Clip: Steel
<b>SURFACE</b>	Clip: Zinc plated
<b>COLOR</b>	Label holder: Transparent
<b>SET</b>	1 label holder 1 clip
<b>PACK QUANTITY</b>	10 sets



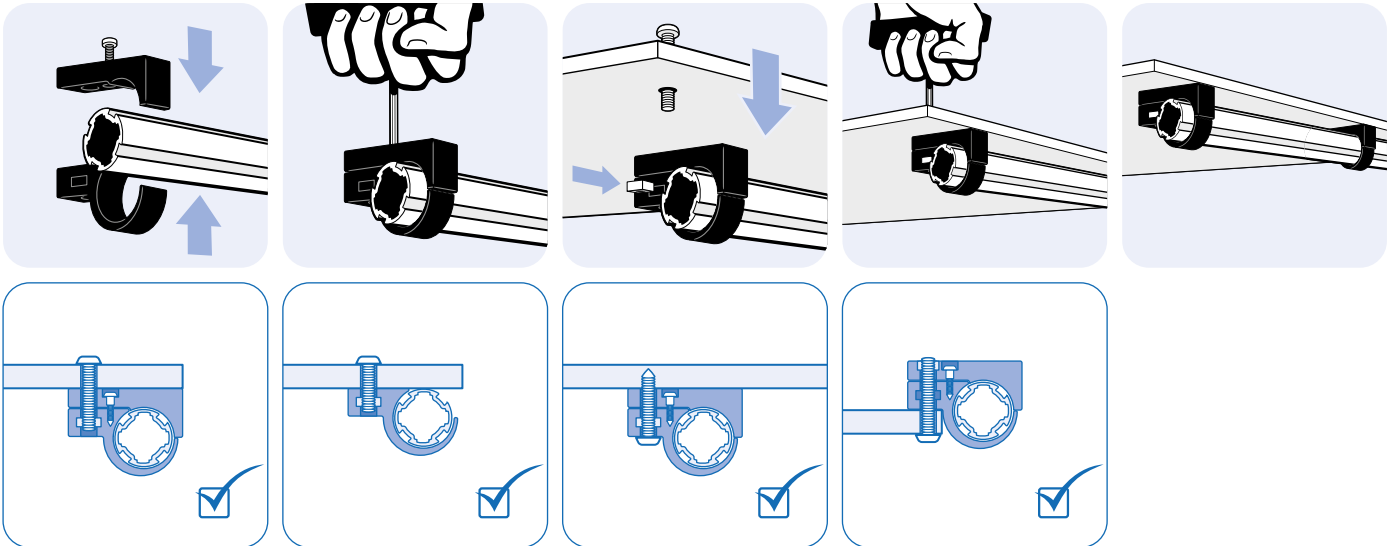
Weight [g]	Profile	Part #
19.0	I	<a href="#">093LCT60D30.102</a>

**MOUNTING CLAMP D30 (SET)**

<b>MODEL</b>	For tubular frame profiles
<b>DESCRIPTION</b>	To attach panels universally to tubes and tubular frame profiles with $\varnothing$ 30 mm outer diameter; including spacer to position panels over outer tubular frame connectors D30
<b>MATERIAL</b>	Mounting clamp: Plastic PA Spacer: Plastic PA Assembly set: Steel
<b>SURFACE</b>	Assembly set: Zinc plated
<b>COLOR</b>	Mounting clamp: Gray Spacer: Gray
<b>SET</b>	1 mounting clamp 1 spacer 1 square nut DIN 557 - M5 1 self-tapping screw SF4 x 12
<b>PACK QUANTITY</b>	10 sets

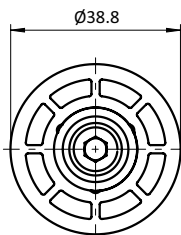
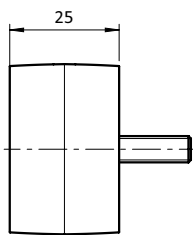


Weight [g]	Profile	Part #
17.2	I	093PD30NS01

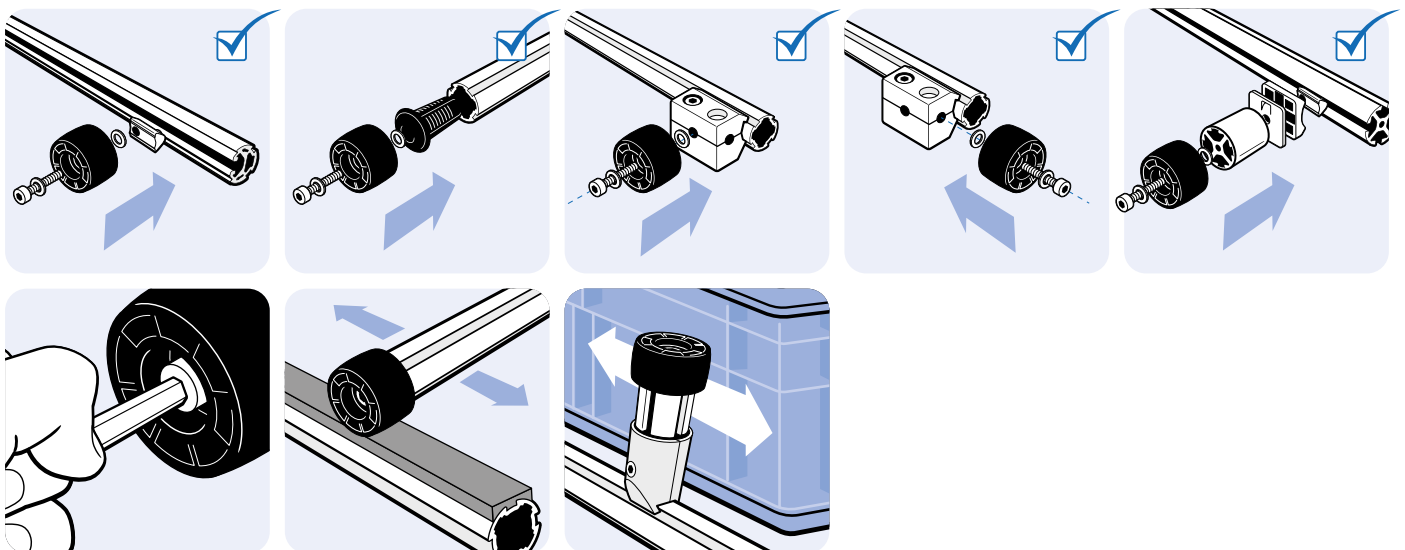


**ROLLER Ø 39.5 (SET)**

<b>MODEL</b>	Plastic PA
<b>DESCRIPTION</b>	To guide moving parts on a slide rail attached to the aluminum profile or as lateral guide for moved goods ; With ball bearing
<b>MATERIAL</b>	Plastic PA, glass ball reinforced
<b>COLOR</b>	Black
<b>SET</b>	1 Roller 1 screw DIN EN ISO 4762 (DIN 912) M6 x 35, zinc plated steel 2 washers DIN EN ISO 7089 (DIN 125) - 6.4
<b>PACK QUANTITY</b>	10 sets

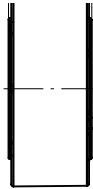
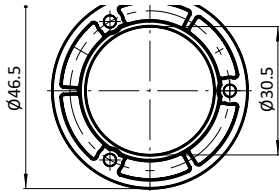


Weight [g]	Profile	Part #
40.0	I	093817



**ROLLER Ø 46.5**

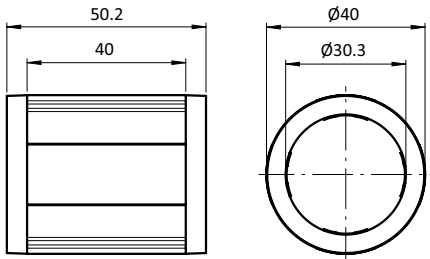
<b>MODEL</b>	For tubular frame profiles
<b>DESCRIPTION</b>	For lateral guiding or supporting at the transition from roller tracks
<b>MATERIAL</b>	Plastic PA, carbon fiber reinforced
<b>COLOR</b>	Black
<b>PACK QUANTITY</b>	10 pieces



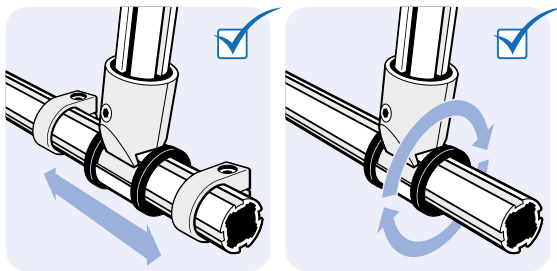
	ESD	Weight [g]	Profile	Part #
	ESD electrostatical discharging	13.0	I	<a href="#">062AUR46D30ESD</a>

**SLIDE BEARING D40/D30**

<b>MODEL</b>	For tubular frame profiles
<b>DESCRIPTION</b>	For low-friction movement on tubular frame profiles, allows radial and linear movement
<b>MATERIAL</b>	Plastic POM
<b>PACK QUANTITY</b>	1 piece



ESD	Weight [g]	Profile	Part #
ESD electrostatical discharging	36.0	I	<b>093S30S02</b>



**HOLDING BRACKET XST D30**

<b>MODEL</b>	For roller tracks XST
<b>DESCRIPTION</b>	To mount roller tracks XST and guiding rails XST central to tubular frame profiles with Ø 30 mm outer diameter, preventing inserts from slipping out
<b>MATERIAL</b>	Steel
<b>SURFACE</b>	Zinc plated
<b>ASSEMBLY SET</b>	6 self-drilling screws DIN 7504 Form N - 3.9 x 16
<b>PACK QUANTITY</b>	10 sets
<b>SPECIALS</b>	Other surfaces, other colors on request

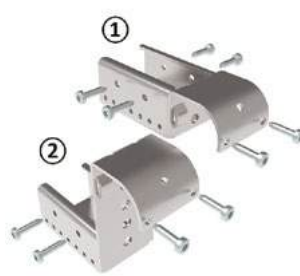
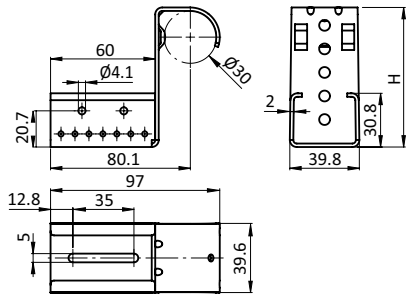


Fig.	Version	H [mm]	Weight [g]	Part #
①	Without end stop	30.8	161.0	<a href="#">062MHD30MS01</a>
②	With end stop	65.5	171.0	<a href="#">062MHSD30MS03</a>
②	With end stop	80.0	173.0	<a href="#">062MHSD30MS01</a>

**HOLDING BRACKET AL D30**

<b>MODEL</b>	For roller tracks AL
<b>DESCRIPTION</b>	To mount AL roller track profiles to tubular frame profiles with Ø 30 mm outer diameter, preventing inserts from slipping out
<b>MATERIAL</b>	Steel
<b>SURFACE</b>	Zinc plated
<b>ASSEMBLY SET</b>	1 self-drilling screw DIN 7504 Form N - 3.9 x 16 1 washer DIN EN ISO 7089 (DIN 125) 1 T-slot nut slot 8 - M5 1 screw DIN EN ISO 4762 (DIN 912) - M5 x 14
<b>PACK QUANTITY</b>	10 pieces

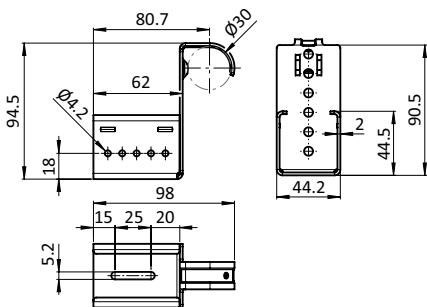
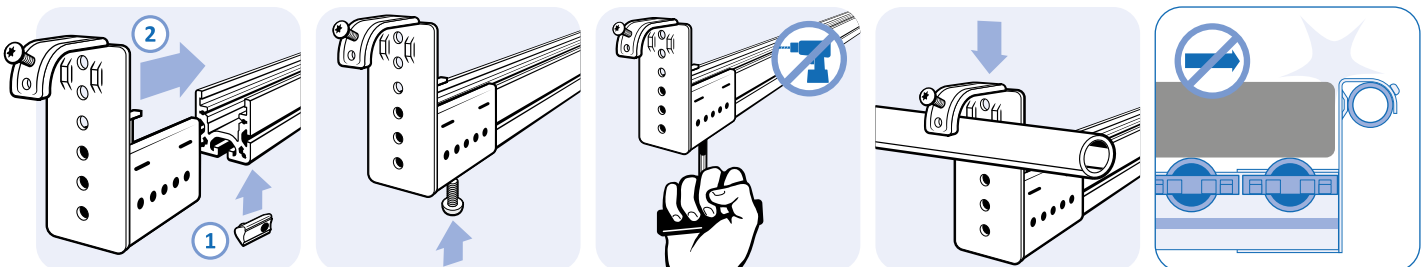


Fig.	Version	Weight [g]	Part #
①	With end stop	194.0	062AHSD30M
②	With end stop, with assembly set	211.0	062AHSD30MS01



**VARIABLE HOLDING BRACKET XST D30**

<b>MODEL</b>	For roller tracks XST
<b>DESCRIPTION</b>	Transition between roller track profiles with varying inclination, to mount roller track profiles XST and guiding rails XST central at different angles to tubular frame profiles with Ø 30 mm outer diameter, preventing inserts from slipping out
<b>MATERIAL</b>	Steel
<b>SURFACE</b>	Zinc plated
<b>FASTENING</b>	with 5 or 6 self-drilling screws DIN 7504 Form N - 3.9 x 16
<b>PACK QUANTITY</b>	10 sets
<b>SPECIALS</b>	Other surfaces, other colors on request

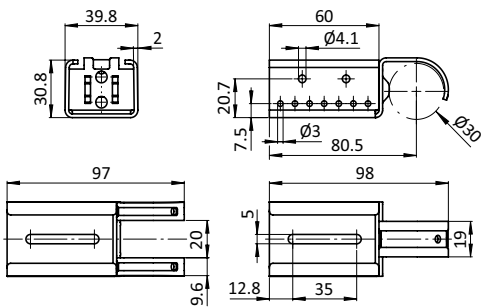


Fig.	Version	Weight [g]	Part #
②	Typ M	145.0	<a href="#">062MYMD30MS01</a>
①	Typ F	150.0	<a href="#">062MYFD30MS01</a>

**VARIABLE HOLDING BRACKET AL D30**

<b>MODEL</b>	For roller tracks AL
<b>DESCRIPTION</b>	Transition between roller track profiles with varying inclination, to mount roller track profiles AL at different angles to tubular frame profiles with Ø 28 mm outer diameter, preventing inserts from slipping out
<b>MATERIAL</b>	Steel
<b>SURFACE</b>	Zinc plated
<b>ASSEMBLY SET</b>	1 self-drilling screw DIN 7504 Form N - 3.9 x 16 1 washer DIN EN ISO 7089 (DIN 125) 1 T-slot nut slot 8 - M5 1 screw DIN EN ISO 4762 (DIN 912) - M5 x 14
<b>ASSEMBLY SET 2</b>	2 self-drilling screw DIN 7504 Form N - 3.9 x 16 1 washer DIN EN ISO 7089 (DIN 125) 1 T-slot nut slot 8 - M5 1 screw DIN EN ISO 4762 (DIN 912) - M5 x 14
<b>PACK QUANTITY</b>	10 pieces

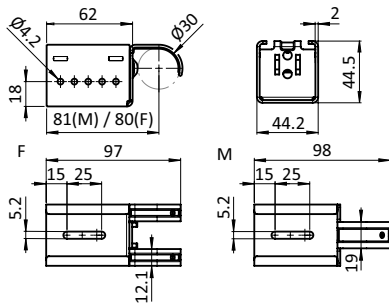
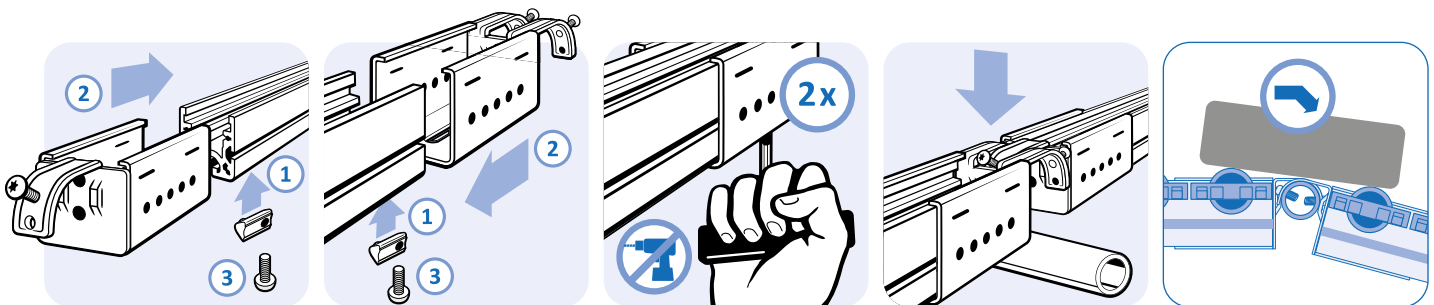
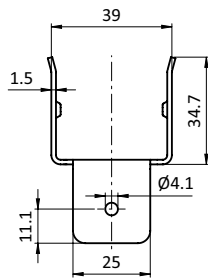
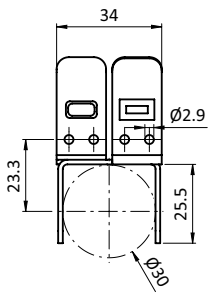


Fig.	Version	Weight [g]	Part #
①	Typ M	161.0	<a href="#">062AYMD30M</a>
②	Typ F	163.0	<a href="#">062AYFD30M</a>
①	Type M with assembly set 1	178.0	<a href="#">062AYMD30MS01</a>
②	Type F with assembly set 2	183.0	<a href="#">062AYFD30MS01</a>



**MOUNTING BRACKET XST D30**

<b>MODEL</b>	For roller tracks XST
<b>DESCRIPTION</b>	To mount and support an roller track XST or a guiding rail XST central on a crossing tubular frame profile with $\varnothing$ 30 mm outer diameter
<b>MATERIAL</b>	Steel
<b>SURFACE</b>	Zinc plated
<b>ASSEMBLY SET</b>	4 self-drilling screws DIN 7504 Form N - 3,9 x 16
<b>PACK QUANTITY</b>	10 sets
<b>SPECIALS</b>	Other surfaces, other colors on request



Weight [g]

Part #

46.0

062MMD30MS01

